



PeerlessBoilers.com

# Peerless® Series SC™

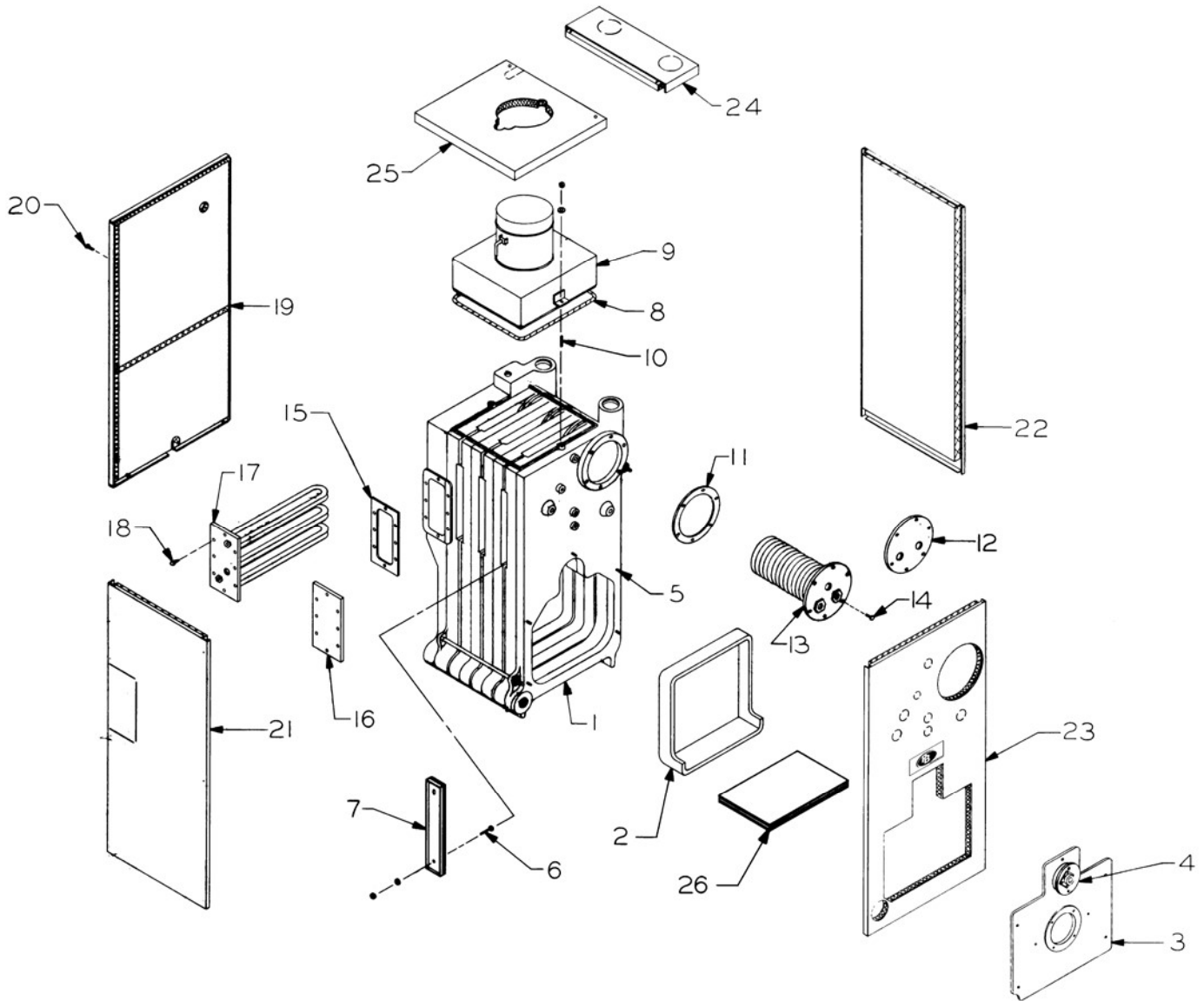
All repair parts orders - no minimum charges.

Please order with code number.

All prices quoted are in U.S. dollars.

All prices subject to change without notice.

All prices F.O.B. Bally, PA





PeerlessBoilers.com

# Peerless® Series SC™

All repair parts orders - no minimum charges.

Please order with code number.

All prices quoted are in U.S. dollars.

All prices subject to change without notice.

All prices F.O.B. Bally, PA

	Description	Quantity Required	Stock Code		Description	Quantity Required	Stock Code	
1	Block Asmby SC/SC-e-05 Models X-1099	1	90239	13	Tankless Coil (Opt. Water Only) 3 to 8.0 GPM X1020	1	90534	
	Block Asmby SC/SC-e-06 Models X-1100	1	90758		Tankless Coil (Opt. Water Only) 6.5 to 20.0 GPM X1022	1	90539	
	Block Asmby SC(T)/SC(T)-e-05 Models X-1 099	1	90242		14	3/8"-16 x 3/4" Hex Hd. Cap, (Local Hdwr Supply)	6	99788
	Block Asmby SC(T)/SC(T)-e-06 Models X-1 100	1	90755		15	Rubber Gasket (SCT Models Rectangular)	1	90547
	Front Split Block Asmby SC/SC-e models -1 018	-	90677		16	Cover Plate Kit (SCT Models Rectangular)	1	90140
	Front Split Block Asmby SC/SC-e models-1018-1	-	90678		17	Tankless Heater (Optional SC(T)/-e Models) Rectangular, X1082	1	90546
	Back Split Block Asmby SC/SC-e models-1 019	-	90679		18	3/8"-16 x 3/4" Hex Hd. Cap, (Local Hdwr Supply)	8	99788
	Back Split Block Asmby SC/SC-e models-1 01 9-1	-	90680		26	Ceramic Blanket Liner -14"x14x18"	1	50846
	Back Split Block Asmby SC/SC-e models-1 019-2	-	90673		19	Back Jacket Panel (for reference only)	-	-
	Back Split Block Asmby SC(T)/SC(T)-e Models SC-1 02	-	90681		20	1/4"-20 x 3/8" Mach. Screws	-	-
	Back Split Block Asmby SC(T)/SC(T)-e SC-1 021-1	-	90682		21	Left Side Jacket Panel (for reference only)	-	-
	Back Split Block Asmby SC(T)/SC(T)-e Models SC-1021-	-	90683		22	Right Side Jacket Panel (for reference only)	-	-
N/S	Front Section w/ 2-1/2" Tap	1	90007	23	Front Jacket Panel (for reference only)	-	-	
N/S	Front Section w/ 2" Tap	1	90006	24	Right Top Jacket Panel (for reference only)	-	-	
N/S	Standard Intermediate Section	-	90000	25	Right Left Jacket Panel (for reference only)	-	-	
N/S	Tapped Intermediate Section	-	90047	<b>*Complete Assembly Jackets</b>				
N/S	Tapped Interm. Section w/ LWCO Tap	-	90002	-	SC/SC(T)-05	1	90240	
N/S	Standard Back Section w/ 2-1/2" Tap	-	90016	-	SC/SC(T)-06	1	90306	
N/S	Standard Back Section w/ 2" Tap	-	90015	-	SC/SC(T)-07	1	90307	
N/S	Tan kless Back Section w/ 2-1/2" Tap	1	90039	-	SC/SC(T)-08	1	90308	
N/S	Tan kless Back Section w/ 2" Tap	1	90038	-	SC/SC(T)-09	1	90309	
N/S	Large Push Nipple 1/Section #64	1	51546	-	SC/SC(T)-10	1	90310	
N/S	Small Push Nipple 1/Section #12	1	51543	-	SC/SC(T)-e-05	1	41500	
N/S	Draw Up Washer (large)	2	51163	-	SC/SC(T)-e-06	1	41600	
N/S	Draw Up Washer (small)	2	51165	-	SC/SC(T)-e-07	1	41700	
N/S	Draw Up Clamp Body	2	51146	-	SC/SC(T)-e-08	1	41800	
N/S	Draw Up Clamp Jaw	2	51148	-	SC/SC(T)-e-09	1	41900	
2	Target Wall X-3019	1	50768	-	SC/SC(T)-e-10	1	41100	
3	4-11/16", Burner Mtg Plate, Beckett, Carlin	1	90605	-	Baffle Plates - SC-e/SC(T)-e, 1 per Flue Way	1	51591	
	6-1/2", Burner Mtg Plate, Carlin Gas	1	90526	-	Flue Rod Baffle Set 05 SC(T)	-	91760	
	6-1/2", Burner Mtg Plate, Midco RE650/ LNB	1	90898	-	Flue Rod Baffle Set 06 SC(T)	-	91761	
	6-1/2", Burner Mtg Plate, PF JR15A & JR30A	1	90604	-	Flue Rod Baffle Set 07 SC(T)	-	91762	
	7 1/2", Burner Mtg Plate, PF C1, Webster JB1	1	90243	-	Flue Rod Baffle Set 08 SC(T)	-	91763	
N/S	Combustion Chamber Plate Insulation	1	50765	-	Flue Rod Baffle Set 09 SC(T)	2	91760	
N/S	Insulation Hardware required for Combustion Chamber Cover & Insul.	1	95016	-	Flue Rod Baffle Set 10 SC(T)	1	91760	
4	Flame Observation Assembly	1	90754	-	Flue Rod Baffle Set 10 SC(T)	1	91761	
5	5-16" - 18 x 2-1/4" Stud, (Local Hdwr Supply)	4	51747	<b>Assembly Kit - Box 6</b>				
6	5/16"-18 x 1-3/4" Carriage Bolt w/Nut	2	-	-	-07 thru -10 models	-	94043	
7	Side Cleanout Cover Plate, (1) per joint	1	51772	<b>Draw Rods - (3 per set)</b>				
7a	Clean Out Insulation Board, 1/2 X 2-3/8 X 14", (1) per Plate	1	50800	-	-07 models	2	90718	
8	Flue Seal, High Temp. Rope 1/2" Diameter ** Price Per Foot **	7. ft	51211	-	-08 models	2	90719	
9	Flue Collector and Damper Asmby -05 model	1	90241	-	-09 models	2	90720	
	Flue Collector and Damper Asmby -06 model	1	99540	-	-10 models	2	90721	
	Flue Collector and Damper Asmby -07 model	1	99541	<b>Trim - Water, SC/SC(T) models only</b>				
	Flue Collector and Damper Asmby -08 model	1	99542	-	SC/SC(T)-05 thru SC/SC(T)-07	1	94046	
	Flue Collector and Damper Asmby -09 model	1	99543	-	SC/SC(T)-08 thru SC/SC(T)-10	1	94047	
	Flue Collector and Damper Asmby -10 model	1	99544	<b>Trim - Steam</b>				
9a	7" Damper Assembly	1	-	-	-05/-06 models	1	94049	
9a	9" Damper Assembly	1	-	-	-07 models	1	94050	
9a	10" Damper Assembly	1	-	-	-08 thru -10 models	1	94051	
10	3/8"-16 x 2-1/4" Stud with Nuts & Washer, (Local Hdwr Supply)	2	51751	<b>Controls</b>				
11	Rubber Gasket (Round)	1	51800	-	SC/SC(T)-05 thru SC/SC(T)-10 - Water	1	90675	
12	Cover Plate (Round)	1	91477	-	-05 thru -10 models - Steam Standard	1	90845	
				-	-05 thru -10 models - Steam Optional	1	90388	

Unless otherwise noted, parts are for both the Series SC/SC(T) and Series SC/SC(T)-e boilers.