



PeerlessBoilers.com

Peerless® Series 63/64™

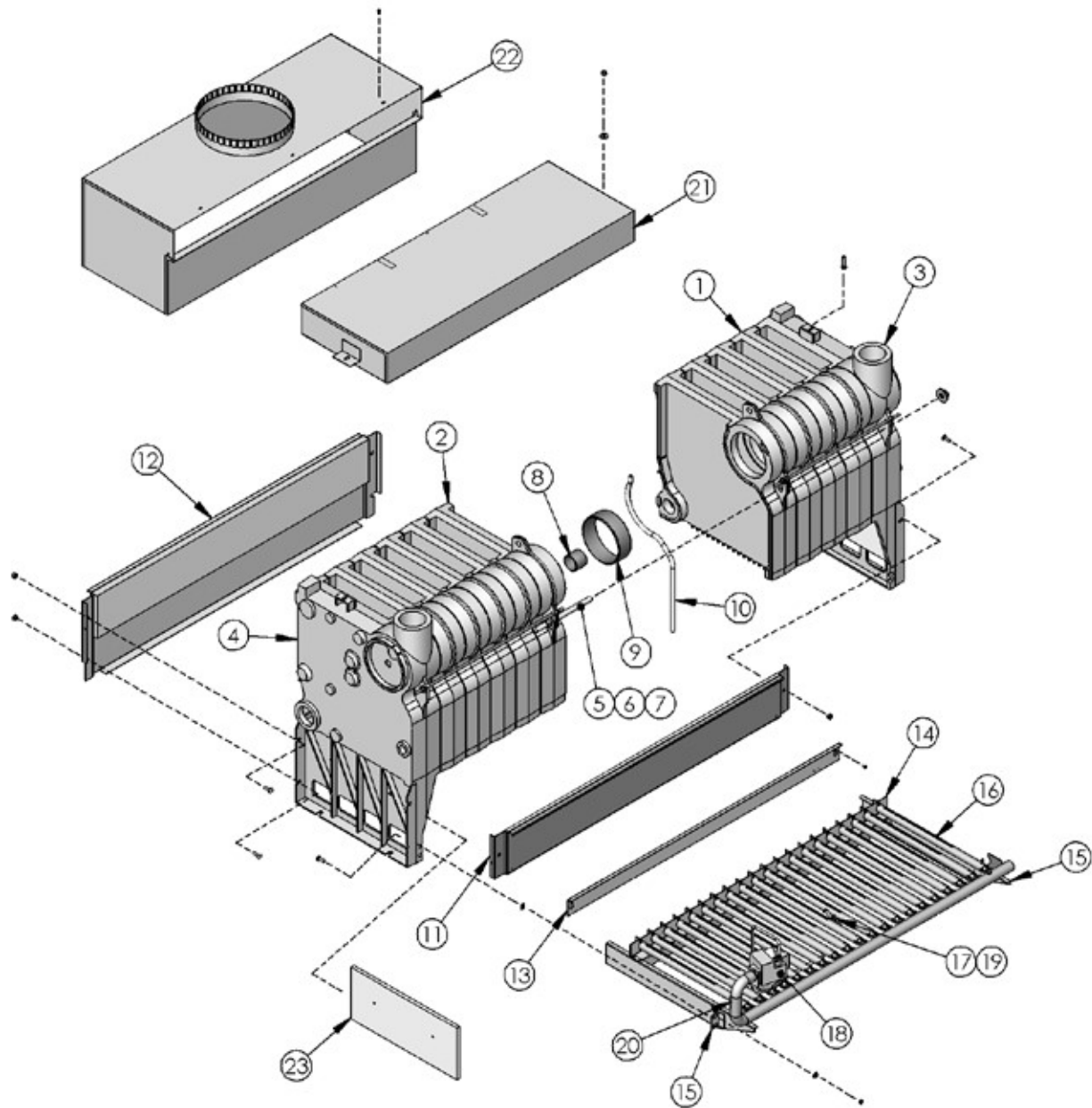
All repair parts orders - no minimum charges.

Please order with code number.

All prices quoted are in U.S. dollars.

All prices subject to change without notice.

All prices F.O.B. Bally, PA





PeerlessBoilers.com

Peerless® Series 63/64™

All repair parts orders - no minimum charges.

Please order with code number.

All prices quoted are in U.S. dollars.

All prices subject to change without notice.

All prices F.O.B. Bally, PA

	Description	Quantity Required	Stock Code
1	Intermediate Section – w/out Draw Lugs	–	90028
2	Intermediate Section – w/ Draw Lugs (64)	–	90029
3	Right Hand Section	1	90030
4	Left Hand Section	1	90031
5	Draw Rod 5/8"-11 x 8" (64)	3	7797
6	Draw Rod Nut 5/8"-11 (64)	6	51567
7	Draw Rod Washer (64)	6	7289
8	2" Push Nipple	1	51543
9	6" Push Nipple	1	51546
10	High Temperature Sealing Rope 1/2", ** Price per Foot **	4.ft	51211
N/S	64 Split Block Assy. Kit w/ Hardware & Rope	1	90899
–	63-03L Block Assembly	1	90684
–	63-03 Block Assembly	1	90684
–	63-04L Block Assembly	1	90685
–	63-04 Block Assembly	1	90685
–	63-05L Block Assembly	1	90686
–	63-05 Block Assembly	1	90686
–	63-06 Block Assembly	1	90687
–	Left Hand 63-06 Split Block (3)	1	94089
–	Left Hand 64-07 Split Block, (4)	1	90904
–	Right Hand 64-07 Split Block, (3)	1	90906
–	Left Hand 64-08 Split Block, (4)	1	90904
–	Right Hand 64-08 Split Block, (4)	1	90907
–	Left Hand 64-09 Split Block, (4)	1	90904
–	Right Hand 64-09 Split Block, (5)	1	90908
–	Left Hand 64-10 Split Block, (6)	1	90905
–	Right Hand 64-10 Split Block, (4)	1	90907
–	Left Hand 64-11 Split Block, (6)	1	90905
–	Right Hand 64-11 Split Block, (5)	1	90908
–	Left Hand 64-12 Split Block, (6)	1	90905
–	Right Hand 64-12 Split Block, (6)	1	90909
11	Base Front Panel Assembly – 63-03	1	50324
	Base Front Panel Assembly – 63-04	1	50325
	Base Front Panel Assembly – 63-05	1	50326
	Base Front Panel Assembly – 63-06	1	50327
	Base Front Panel Assembly – 64-07	1	50328
	Base Front Panel Assembly – 64-08	1	50329
	Base Front Panel Assembly – 64-09	1	50330
	Base Front Panel Assembly – 64-10	1	50331
	Base Front Panel Assembly – 64-11	1	50332
	Base Front Panel Assembly – 64-12	1	50333
12	Base Rear Panel Assembly – 63-03	1	61180
	Base Rear Panel Assembly – 63-04	1	61181
	Base Rear Panel Assembly – 63-05	1	61182
	Base Rear Panel Assembly – 63-06	1	61183
	Base Rear Panel Assembly – 64-07	1	61184
	Base Rear Panel Assembly – 64-08	1	61185
	Base Rear Panel Assembly – 64-09	1	61186
	Base Rear Panel Assembly – 64-10	1	61187
	Base Rear Panel Assembly – 64-11	1	61188
	Base Rear Panel Assembly – 64-12	1	61189

	Description	Quantity Required	Stock Code
13	Burner Access Panel – 63-03	1	50271
	Burner Access Panel – 63-04	1	50272
	Burner Access Panel – 63-05	1	50273
	Burner Access Panel – 63-06	1	50274
	Burner Access Panel – 64-07	1	50275
	Burner Access Panel – 64-08	1	50276
	Burner Access Panel – 64-09	1	50277
	Burner Access Panel – 64-10	1	50278
	Burner Access Panel – 64-11	1	50279
	Burner Access Panel – 64-12	1	50280
13a	Flame Rollout Switch G4AM0600167C	1	51587
14	Burner Tray Rear Support – 63-03	1	50300
	Burner Tray Rear Support – 63-03L	1	50301
	Burner Tray Rear Support – 63-04	1	50302
	Burner Tray Rear Support – 63-04L	1	50303
	Burner Tray Rear Support – 63-05	1	50304
	Burner Tray Rear Support – 63-05L	1	50305
	Burner Tray Rear Support – 63-06	1	50306
	Burner Tray Rear Support – 64-07	1	50307
	Burner Tray Rear Support – 64-08	1	50308
	Burner Tray Rear Support – 64-09	1	50309
	Burner Tray Rear Support – 64-10	1	50310
	Burner Tray Rear Support – 64-11	1	50311
15	Burner Tray Left Side Rail	1	50296
	Burner Tray Right Side Rail	1	50295
16	Burner – 63-03L	2	50192
	Burner – 63-03	3	50192
	Burner – 63-04L	4	50192
	Burner – 63-04	5	50192
	Burner – 63-05L	6	50192
	Burner – 63-05	7	50192
	Burner – 63-06	9	50192
	Burner – 64-07	11	50192
	Burner – 64-08	13	50192
	Burner – 64-09	15	50192
	Burner – 64-10	17	50192
	Burner – 64-11	19	50192
17	Burner – 64-12	21	50192
	Burner with Pilot Bracket (Standing)	1	50162
	Burner with Pilot Bracket (Spark)	1	50163



PeerlessBoilers.com

Peerless® Series 63/64™

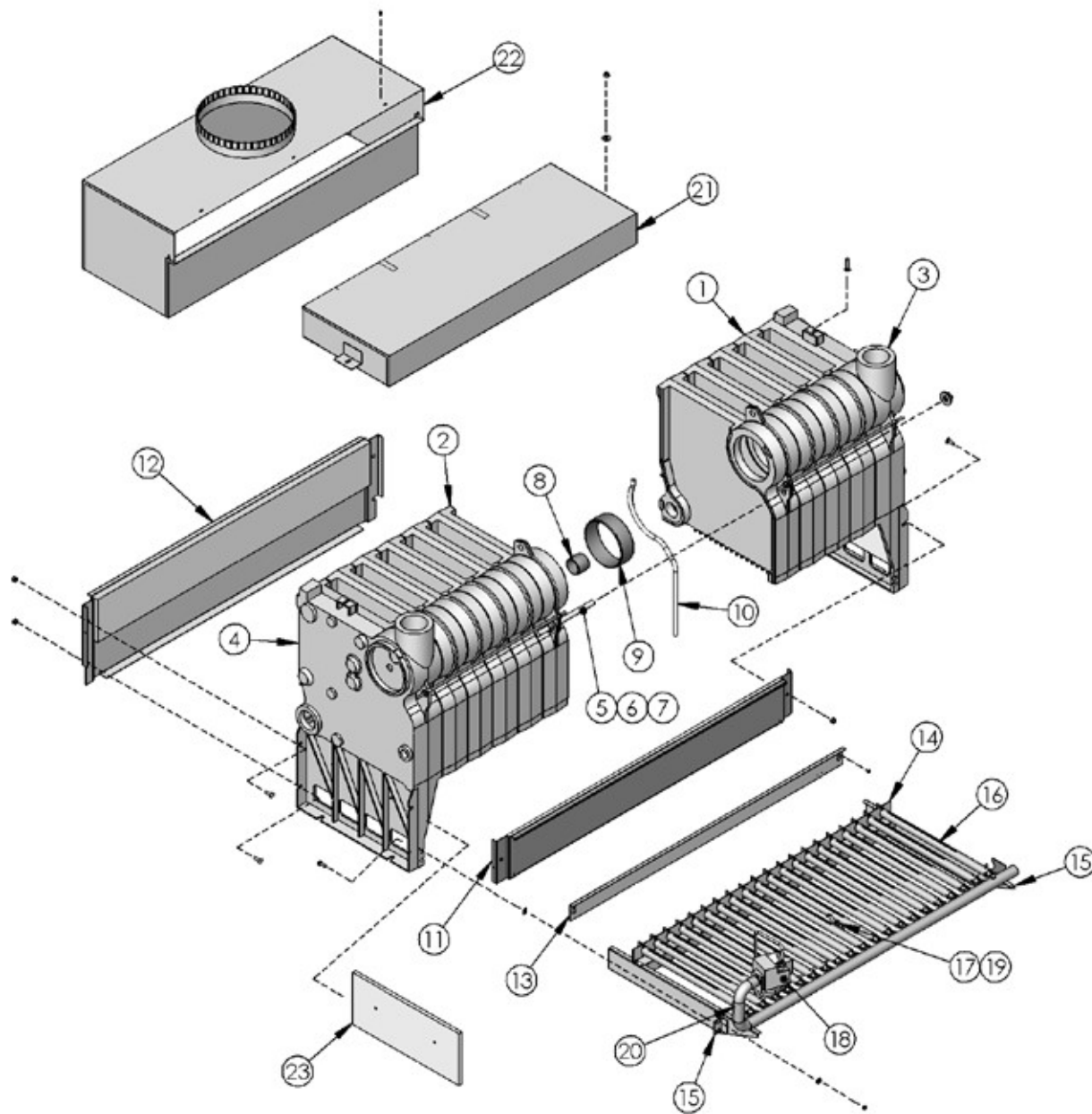
All repair parts orders - no minimum charges.

Please order with code number.

All prices quoted are in U.S. dollars.

All prices subject to change without notice.

All prices F.O.B. Bally, PA





PeerlessBoilers.com

Peerless® Series 63/64™

All repair parts orders - no minimum charges.

Please order with code number.

All prices quoted are in U.S. dollars.

All prices subject to change without notice.

All prices F.O.B. Bally, PA

	Description	Quantity Required	Stock Code
18	Gas Valve – NAT-STDG 63-05/06 Honeywell VR8300A-4003	1	50587
	Gas Valve – NAT-SPRK 63-05 thru 63-08 64-07/08 Honeywell VR8304M-4002	1	50589
	Gas Valve – NAT-SPRK 63-03, 63-04 Honeywell VR8204A-2001	1	50583
	Gas Valve – NAT-SPRK 64-09 thru 64-12 7000DERHC Robert Shaw	1	50247
	Gas Valve – LP-STDG 63-03, 63-04 Honeywell VR8200A2124/U	1	50842
	Gas Valve – LP-STDG 63-05, 63-06 Honeywell VR8300A-401 1	1	50588
	Gas Valve – LP-SPRK 64-05, 64-06 Honeywell VR8304M-4010	1	50590
	Gas Valve – LP-STDG 64-07, 64-08 Honeywell VR8300C-4035	1	91333
	Gas Valve – LP-SPRK 64-07, 64-08 Honeywell VR8304P-4314	1	50724
	Gas Valve – LP-SPRK 63-03, 63-04 Honeywell VR8204A-2183	1	50584
	*denotes valve requires L62 Pilot Module, 9& 11 Section, Obs, NLA	1	50755
	19	Pilot Assembly NAT-STDG 63-03 thru 63-06 5CH Robert Sha	1
Pilot Assembly NAT-STDG 64-07 thru 64-12 Honeywell Q327A1626		1	50677
Pilot Assembly NAT-SPRK 63/64 Honeywell Q3481B1644/B w/ Cable		1	50996
Pilot Assembly LP-STDG 63-03 thru 63-06 5CH Robert shaw,Obs, NLA		1	50249
Pilot Assembly LP-STDG 64-07 thru 64-12 Honeywell Q327A-1 14		1	50557
N/S	Ignition Cable Honeywell 394800-30	1	50640
	Vent Safety Switch (3L, 3, 4L) 1 NT08L-5621-210°F	1	50040
N/S	Vent Safety Switch (4-12; not 4L) 1 NT08L-5621 -230°F	1	50041
N/S	Ignition Control (non-CSD) UT1 003-632A, (Obsolete)	☼	TT7038
N/S	Ignition Control, Capable Controls	1	50767
N/S	Ignition Control,Capable Controls (CSD)	1	50732
-	Thermocouple K1 6BA-24D (24) 3-6	1	50838
-	Thermocouple K1 5DA-36 (36) 9-11	1	50839
20	Gas Manifold – 63-03	1	50264
	Gas Manifold – 63-03L	1	50265
	Gas Manifold – 63-04	1	50266
	Gas Manifold – 63-04L	1	50267
	Gas Manifold – 63-05	1	50268
	Gas Manifold – 63-05L	1	50269
	Gas Manifold – 63-06	1	50270
	Gas Manifold – 64-07 Assembly Kit	1	90411
	Gas Manifold – 64-08 Assembly Kit	1	90412
	Gas Manifold – 64-09 Assembly Kit	1	90413
	Gas Manifold – 64-10 Assembly Kit	1	90414
	Gas Manifold – 64-11 Assembly Kit	1	90415
Gas Manifold – 64-12 Assembly Kit	1	90416	

	Description	Quantity Required	Stock Code
21	Flue Collector – 63-03	1	50281
	Flue Collector – 63-03L	1	50282
	Flue Collector – 63-04	1	50283
	Flue Collector – 63-04L	1	50284
	Flue Collector – 63-05	1	50285
	Flue Collector – 63-05L	1	50286
	Flue Collector – 63-06	1	50287
	Flue Collector – 64-07	1	50288
	Flue Collector – 64-08	1	50289
	Flue Collector – 64-09	1	50290
	Flue Collector – 64-10	1	50291
	Flue Collector – 64-11	1	50292
22	Flue Collector – 64-12	1	50293
	Draft Hood – 63-03 OBSOLETE	1	50252
	Draft Hood – 63-03 Current w/ Reducer	1	50367
	Draft Hood – 63-04 Current w/ Reducer	1	50347
	Draft Hood – 63-05 OBSOLETE	1	50256
	Draft Hood – 63-05 Current w/ Reducer	1	50368
	Draft Hood – 63-06 Current w/ Reducer	1	50369
	Draft Hood – 64-07	1	50258
	Draft Hood – 64-08	1	50259
	Draft Hood – 64-09	1	50260
	Draft Hood – 64-10	1	50261
	Draft Hood – 64-11	1	50262
23	Draft Hood – 64-12	1	50263
	Insulation Board	1	7956
Conversion Kits Natural to LP Gas			
-	STDG 63 series	☼	90068
-	SPRK to STDG 64-07, 64-08	☼	90227
-	SPRK 63	☼	90070
-	SPRK 64	☼	90525
Conversion Kit LP to Natural Gas			
-	STDG 63	☼	90067
-	SPRK to STDG 64-07, 64-08	☼	90226
-	SPRK 63	☼	90069
-	SPRK 64-07 thru 64-12	☼	90052
Conversion Kits Std to CSD-1 (Ignition Only)			
-	Field Kit Std -Nat to CSD 64 N40 Gas Trim/Ign Sys	☼	90740
-	Field Kit Std LP to CSD 64 LP53 Gas Trim/Ign Sys	☼	90741
Vent Dampers			
-	63-03 – Effikal-RVGP-6BK	1	90613
-	63-04 – Effikal-RVGP-7BK	1	90614
-	63-05 – Effikal-RVGP-8BK	1	90615
-	63-06 – Effikal-RVGP-9BK	1	90417
-	64-07 – Effikal-RVGP-9BK	☼	50167
-	64-08 thru 64-09 – Effikal-RVGP-1 0BK	☼	50168
-	64-10 thru 64-12 – Effikal-RVGP-1 0BK	☼	90616
Jackets			
-	63-03L	1	90645
-	63-03	1	90645
-	63-04L	1	90646
-	63-04	1	90646
-	63-05L	1	90647
-	63-05	1	90647
-	63-06	1	90648
-	64-07	1	90649
-	64-08	1	90650
-	64-09	1	90651
-	64-10	1	90652
-	64-11	1	90653
-	64-12	1	90654



PeerlessBoilers.com

Peerless® Series 63/64™

All repair parts orders - no minimum charges.

Please order with code number.

All prices quoted are in U.S. dollars.

All prices subject to change without notice.

All prices F.O.B. Bally, PA

Blank Page



PeerlessBoilers.com

Peerless® Series 63/64™

All repair parts orders - no minimum charges.

Please order with code number.

All prices quoted are in U.S. dollars.

All prices subject to change without notice.

All prices F.O.B. Bally, PA

Water Trim

	Description	Quantity Required	Stock Code
N/S	Transformer w/ Relay Scket, 40VA ZC90113-178 (Earlier Models Only)	1	50787
N/S	24V White Rodgers Relay 90-340 (Earlier Models Only)	1	50726
N/S	Honeywell L4080B-1261 Limit, (Earlier Models Only)	1	50539
N/S	Honeywell L4006E1109 Limit, 64-09 -12 (Less Well)	1	50570
N/S	Hydrolevel 3200 I-Reset & Lwco	1	50334
N/S	Bracket / Sensor Assy, Hydrostat Surface Mt. 12"	1	54522
N/S	WELL 3/4" NPT Well Std Length	1	50723
N/S	Temperature-Pressure Gage [30, 50 PSI (207 kPa, 345 kPa) safety relief valve]	1	51324
N/S	Temperature-Pressure Gage [80, 100 PSI (552 kPa, 689 kPa) safety relief valve]	☼	55846
N/S	Safety Relief Valve, 30 PSI (207 kPa)	1	50501
N/S	Safety Relief Valve, 50 PSI (345 kPa)	☼	51028

Steam Trim

	Description	Quantity Required	Stock Code
N/S	Transformer w/ Relay Scket, 40VA ZC90113-178 (Earlier Models Only)	1	50787
N/S	24V White Rodgers Relay 90-340 (Earlier Models Only)	1	50726
N/S	Pressuretrol, Honeywell, PA404A1009	1	50549
N/S	Pressuretrol, Honeywell, L4079B1033 (64-09 -12)	1	50681
N/S	2-1/2" Round, 0-30# Steam Gauge (steam boilers only)	1	51325
N/S	9-1/4" Gauge Glass Set, Valves & Rods (steam boilers only)	1	50526
N/S	3/4" 15# Steam Valve CONBRACO 13-511-B15, 63-03 thru 64-09	1	50510
N/S	3/4" 15# Steam Valve CONBRACO 13-211-B15, 64-10	1	50507
N/S	1" 15# Steam Valve CONBRACO 13-202-B15, 64-11/12	1	50506
N/S	Siphon Steam 1/4 90° BRS-Long 3-3/4 x 1-7	☼	6665

Harness

	Description	Quantity Required	Stock Code
N/S	63 Damper / Internal Harness		TT7012
N/S	External Control Harness, Float, 63-03 thru 64-08		TT7013
N/S	64 Damper / Internal Harness w//Damper Stub		TT7015
N/S	64 Module Capable to RS Gas vale Harness		54515
N/S	64 HW Module to RS Gas vale Harness		X7080
N/S	63/64 Primary Probe Harness		TT7019
N/S	External Control Harness, Probe, 63-03 thru 64-08, Steam & Water		TT7014
N/S	External Control Harness, Probe , 64-09 thru 64-12, Steam & Water		TT7016

Near Boiler Piping Kits

	Description	Quantity Required	Stock Code
N/S	Steam Piping Kit 63-03L - 63-03		63910
N/S	Steam Piping Kit 63-04L - 63-04		63911
N/S	Steam Piping Kit 63-05, 63-06, 63-07		63912