



PeerlessBoilers.com

Peerless® Series WB90™

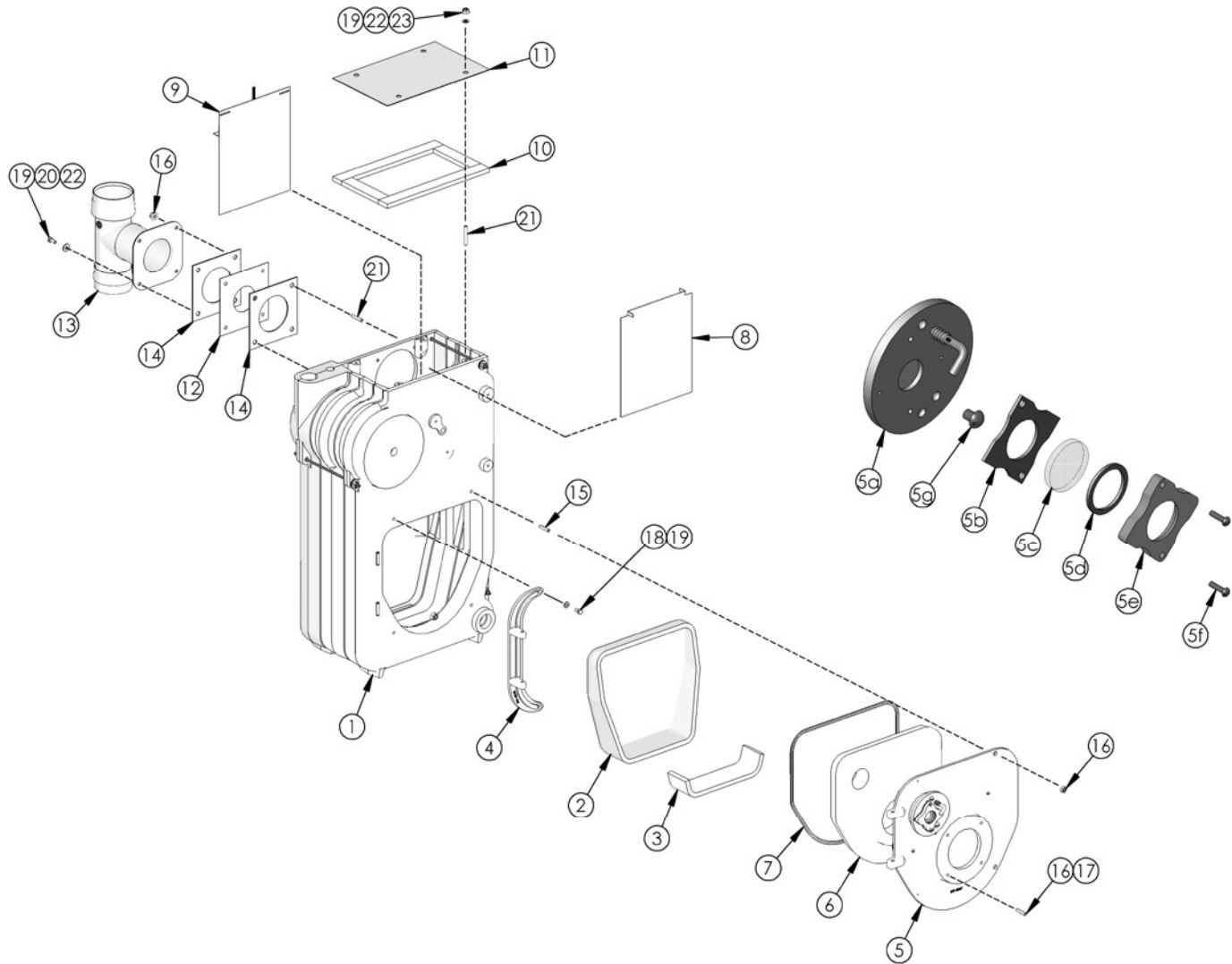
All repair parts orders - no minimum charges.

Please order with code number.

All prices quoted are in U.S. dollars.

All prices subject to change without notice.

All prices F.O.B. Bally, PA





PeerlessBoilers.com

Peerless® Series WB90™

All repair parts orders - no minimum charges.

Please order with code number.

All prices quoted are in U.S. dollars.

All prices subject to change without notice.

All prices F.O.B. Bally, PA

	Description	Quantity Required	Stock Code
1	Cast Iron Block Assembly – WB90-03	1	90806
	Cast Iron Block Assembly – WB90-04	1	90813
2	Target Wall (Included with Block)	1	50795
3	Base Liner Blanket – WB90-03	N/A	N/A
	Base Liner Blanket – WB90-04	1	50857
4	Burner Mounting Plate Hinge Assembly	1	7240
5	Burner Mounting Plate Assembly	1	91040
–	Flame Observation Cover Assembly	1	91040
5a	Flame Observation Cover Plate	1	SC1012
5b	Observation Window Face Gasket	1	50230
5c	Flame Observation Window	1	51681
5d	Observation Window Ring Gasket	1	50229
5e	Observation Glass Retainer	–	–
5f	Screw #10-32 Round Slotted Head x 3/4" Long, (Local Hdwr Supply)	2	–
5g	Screw 3/8-16 Round Slotted Head x 1/2" Long, (Local Hdwr Supply)	1	–
6	Burner Mounting Plate Insulation	1	50796
7	Burner Mounting Plate Rope Seal 1/2" Medium Density	4.5	51211
8	Flue Baffle – WB90	1	51611
9	Flue Baffle – WB90 Rear	1	51612
10	Flue Collector Plate Blanket Seal	1	90999
11	Flue Collector Cover Plate – WB90-03	1	90828
	Flue Collector Cover Plate – WB90-04	1	90829
12	Restrictor WB90-03 (Vertical Vent)	1	54538
	Restrictor WB90-04 (Vertical Vent)	1	54542
13	4" Vent Tee with Sample Ports	1	54543
–	Tubing, 5/8" ID x 1/8" Wall PVC, (not included)	–	–
14	Vent Restrictor Gasket	2	54541
15	Burner Plate Stud – 5/16-18 x 2-1/4", (Local Hdwr Supply)	2	–
16	5/16-18 Hex Flange Nut, (Local Hdwr Supply)	6	–
17	Burner Mounting Stud – 5/16-18 x 1", (Local Hdwr Supply)	4	–
18	5/16-18 x 5/8" Hex Head Bolt, (Local Hdwr Supply)	2	–
19	5/16" Flat Washer, (Local Hdwr Supply)	8	–
20	5/16-18 x 3/4" Hex Head Bolt, (Local Hdwr Supply)	2	–
21	5/16-18 x 1-3/4" Stud, (Local Hdwr Supply)	6	–
22	5/16" Lock Washer, (Local Hdwr Supply)	4	–
23	5/16-18 Stainless Steel Hex Nut, (Local Hdwr Supply)	4	–



PeerlessBoilers.com

Peerless® Series WB90™

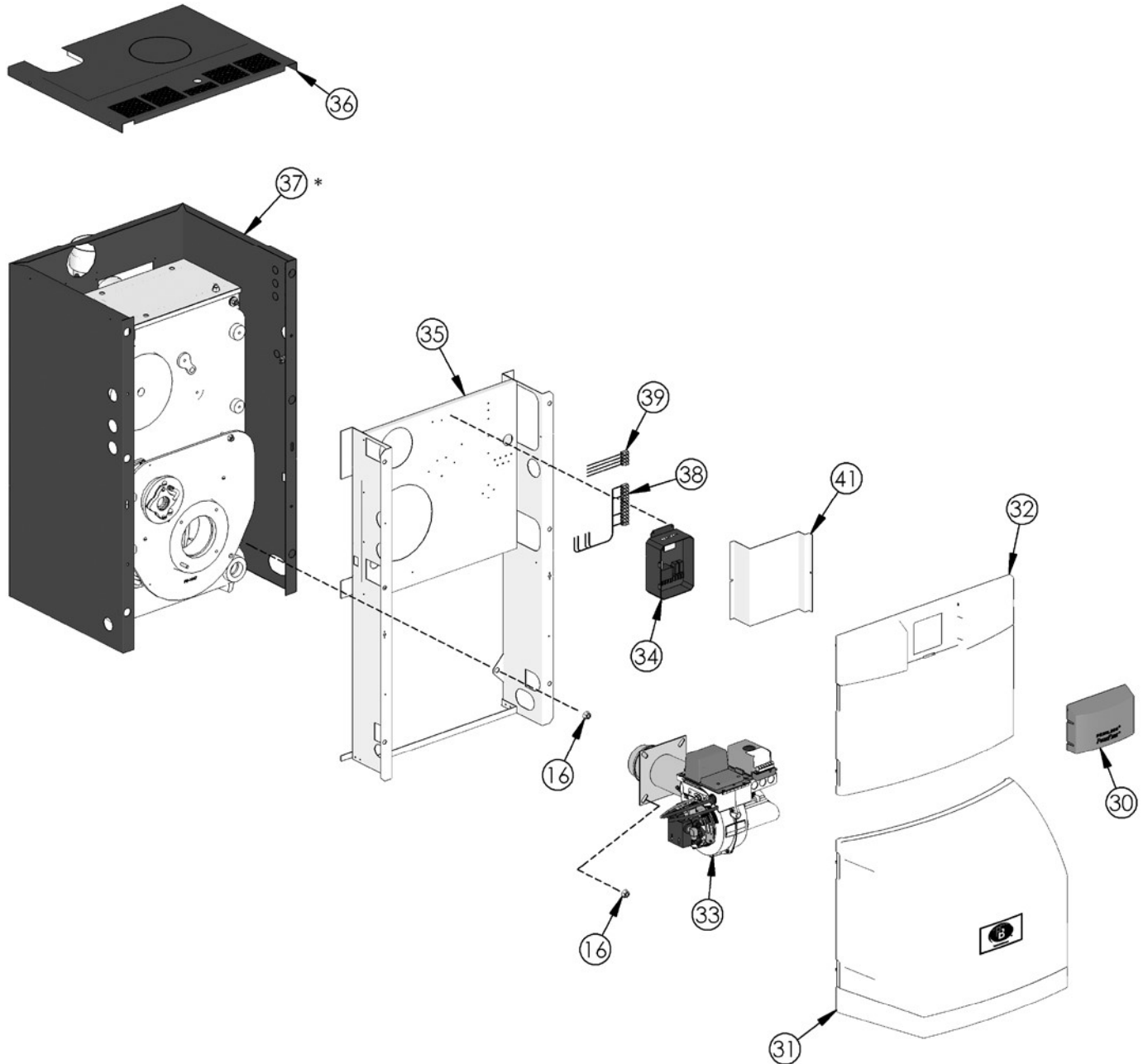
All repair parts orders - no minimum charges.

Please order with code number.

All prices quoted are in U.S. dollars.

All prices subject to change without notice.

All prices F.O.B. Bally, PA





PeerlessBoilers.com

Peerless® Series WB90™

All repair parts orders - no minimum charges.

Please order with code number.

All prices quoted are in U.S. dollars.

All prices subject to change without notice.

All prices F.O.B. Bally, PA

	Description	Quantity Required	Stock Code
30	Control Lens Cover – Smoked Polycarbonate	1	54508
31	Boiler Lower Front Panel (PCABS)	1	54480
32	Boiler Upper Front Panel (PCABS)	1	54479
33	Burner – Carlin H2L WB90-03	1	8051
	Burner – Carlin H2L WB90-04	1	8052
34	3250-H2L, Oil I Reset & Lwco, Hydrolevel	1	54540
N/S	Bracket / Sensor Assy, Hydrostat Surface Mt. 12", 48-103 Hydrostat	1	54522
42	Indicator Light – Red	1	5730
43	Service Toggle Switch	1	6050
N/S	3/4" NPT Well, 48-202 Hydrostat	1	50723
35	Boiler Jacket Support Frame *	1	54524
36	Boiler Jacket Top – WB90-03 *	1	54527
	Boiler Jacket Top – WB90-04 *	1	54528
37	Boiler Jacket Right Side – WB90-03 *	1	–
	Boiler Jacket Left Side – WB90-03 *	1	–
	Boiler Jacket Right Side – WB90-04 *	1	–
	Boiler Jacket Left Side – WB90-04 *	1	–
	Boiler Jacket Rear *	1	–
*	Jacket Assembly – Water – WBV-03	1	90291
*	Jacket Assembly – Water – WBV-04	1	90288
38	Wiring Harness – LIMIT/LWCO	1	54547
39	Wiring Harness – Thermostat & OD Sensor	1	54545
40	Intentionally Blank	–	–
41	Electrical Cover	1	54537
44	H2L Motor Speed Controller, WB90-03	1	54590
	H2L Motor Speed Controller, WB90-04	1	54591
45	Burner Primary Ignition Control, H2L WB90	1	54589
N/S	H2L Combustion head Assembly, 7"	1	54592
N/S	H2L Fuel Unit,	1	54593
N/S	.55 GPH 60° H Nozzle	1	54519
N/S	.85 GPH 60° AB Nozzle	1	54594
☼	Combustion Air Boot,Kit	–	54557
N/S	#64 Hose Clamp 2-1/2 to 4-1/2 , (Local Hdwr Supply)	2	54443
N/S	Air Inlet Adapter	1	54544
N/S	4" X 6' Aluminum Flex Duct , (Local Hdwr Supply)	1	54558
N/S	#10 X 1/2 Slotted Screws, (Local Hdwr Supply)	4	–
N/L	PB Emblem, Not listed	1	–



PeerlessBoilers.com

Peerless® Series WB90™

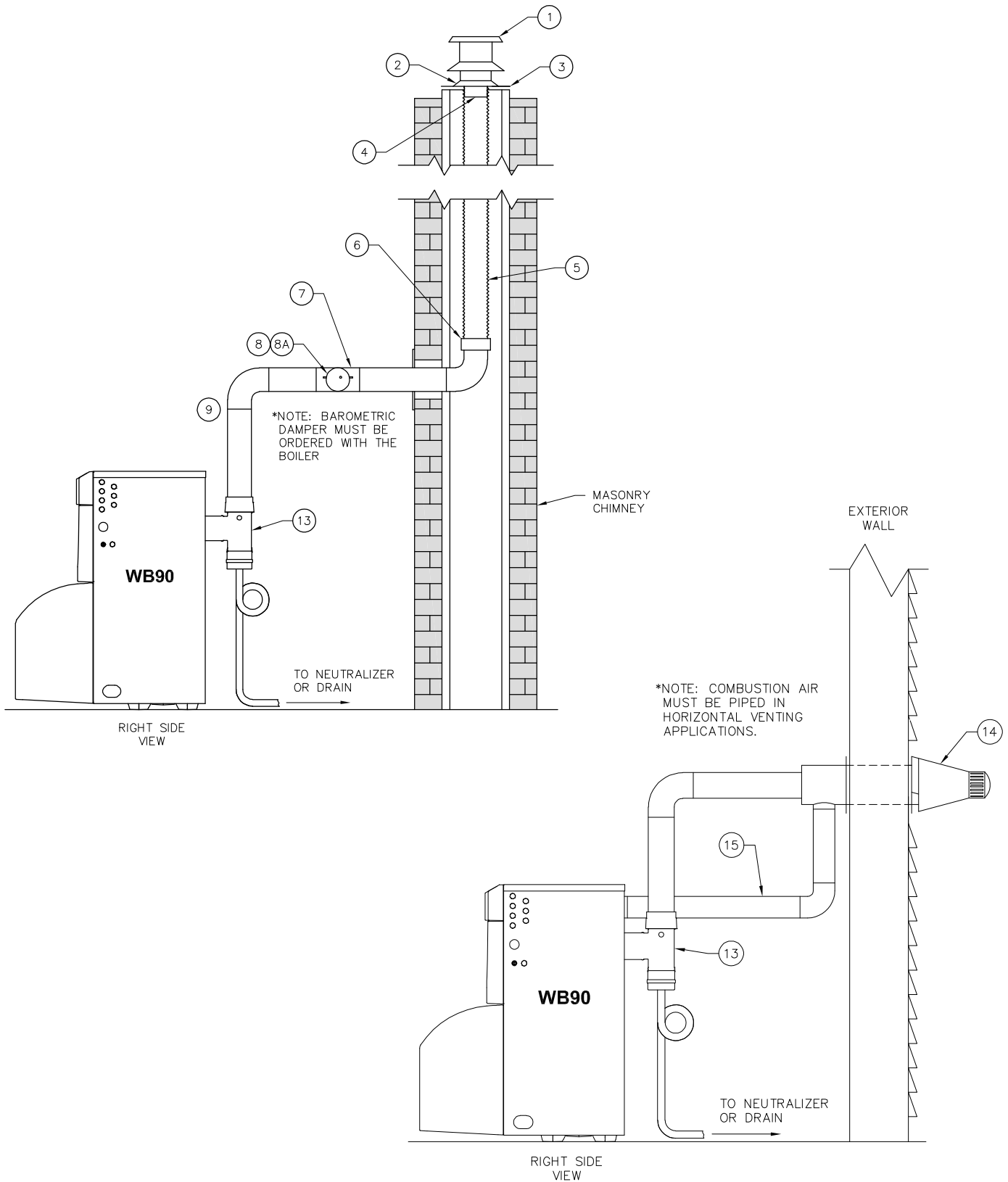
All repair parts orders - no minimum charges.

Please order with code number.

All prices quoted are in U.S. dollars.

All prices subject to change without notice.

All prices F.O.B. Bally, PA





PeerlessBoilers.com

Peerless® Series WB90™

All repair parts orders - no minimum charges.

Please order with code number.

All prices quoted are in U.S. dollars.

All prices subject to change without notice.

All prices F.O.B. Bally, PA

	Description	Quantity Required	Stock Code
1	Vertical Vent Cap 4PVP-VC	1	54564
2	Storm Collar 4PVP-SC	1	54565
3	Top Cover Plate 5TKP	1	54566
4	Male Flex Adapter 4PVP-ADFM	1	54567
5	4PVP-15BF, 15' BioFlex Pipe	1	54580
	4PVP-20BF, 20' BioFlex Pipe	1	54581
	4PVP-25BF, 25' BioFlex Pipe	1	54582
	4PVP-30BF, 30' BioFlex Pipe	1	54583
	4PVP-35BF, 35' BioFlex Pipe	1	54584
	4PVP-100BF, 100' BioFlex Pipe	1	54585
6	Female Flex Adapter 4PVP-ADFF	1	54568
7	Barometric Damper Tee 4PVP-TAD	1	54569
8	4' Barometric Damper, Fields R/C	1	50251
	4' Barometric Damper Kit, Fields R/C & Spill Switch, Canada	1	50344
8a	Spill Switch, Fields, Canada	1	50313
9	Elbow 90° 4PVP-E90* (not labeled)	1	54570
10	Elbow 45° 4PVP-E45* (not Shown)	1	54571
11	4PVP-6, 6" Long * (not labeled)	1	54572
	4PVP-12, 12" Long * (not labeled)	1	54573
	4PVP-24, 24" Long * (not Shown)	1	54574
	4PVP-36, " Long * (not labeled)	1	54575
	4PVP-60, " Long * (not labeled)	1	54576
12	4PVP-12A, 12" Pipe Extensions – Adjustable * (not labeled)	1	54577
	4PVP-18A, 18" Pipe Extensions – Adjustable * (not labeled)	1	54578
	4PVP-48A, 48" Pipe Extensions – Adjustable * (not labeled)	1	54579
13	4" Vent Tee with Sample Ports	1	54543
14	Sidewall Vent Termination Kit, (DuraVent 47PVP-OKA	1	54086

*These parts may be used in sidewall venting installations.

WB90 boiler is only approved with Pellet Pro, (PVP) manufactured by DuraVent