



PeerlessBoilers.com

# Peerless® Series TC™

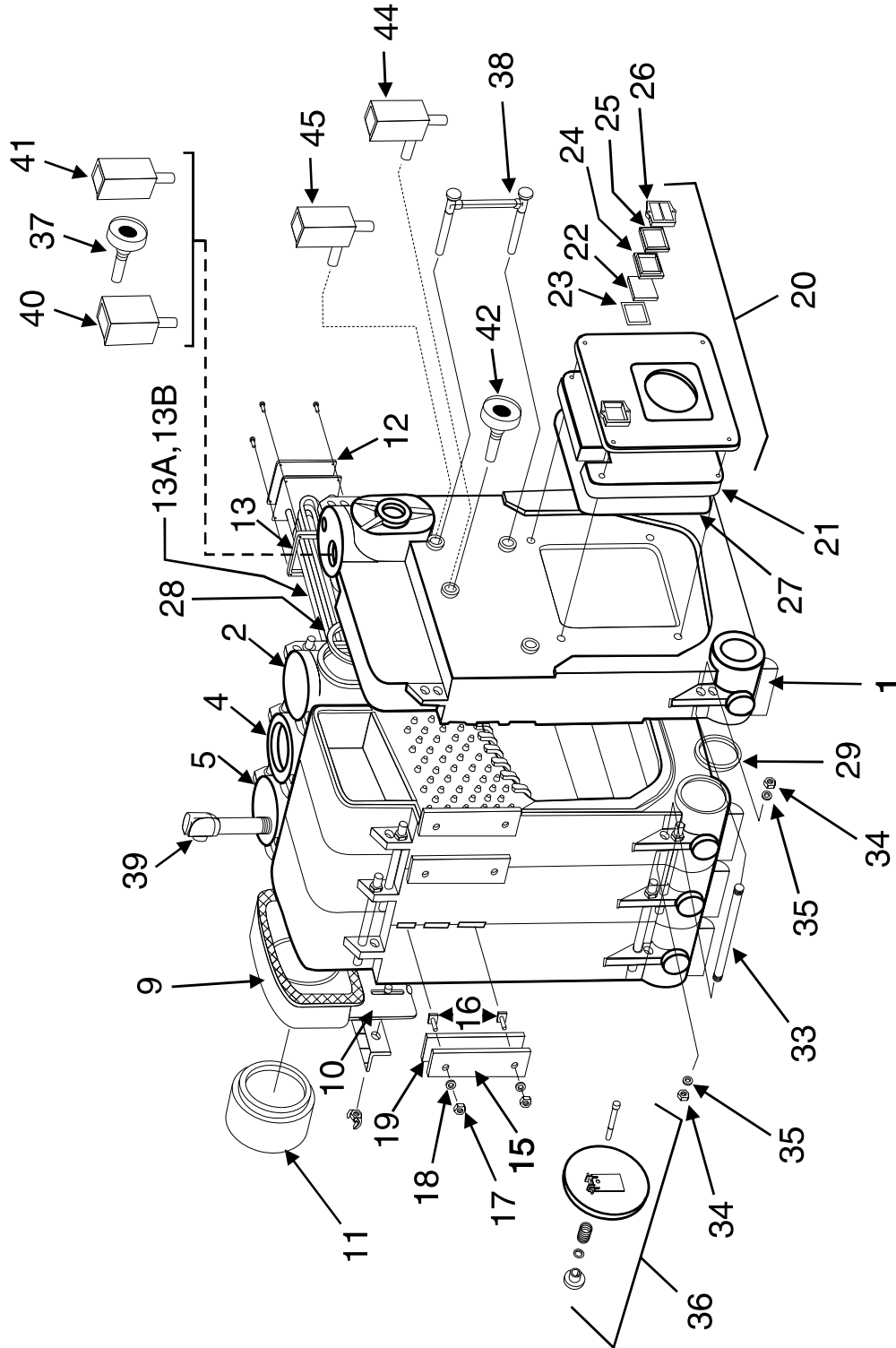
All repair parts orders - no minimum charges.

Please order with code number.

All prices quoted are in U.S. dollars.

All prices subject to change without notice.

All prices F.O.B. Bally, PA





PeerlessBoilers.com

# Peerless® Series TC™

All repair parts orders - no minimum charges.

Please order with code number.

All prices quoted are in U.S. dollars.

All prices subject to change without notice.

All prices F.O.B. Bally, PA

	Description	Quantity Required	Stock Code
1	Front Section	1	76014
1a	Requires ,5" Flange w/ 8-1/2_ Bolt Pattern	1	99431
-	Intermediate Section	-	76002
2	Intermediate Section w/ Heater Connection	-	76004
4	Intermediate Section w/ Supply Connection	-	76003
5	Back Section	1	76015
5a	Requires , Cover Plate	1	76091
<b>Flue Collector Assembly includes: Flue Collector, Slide Damper and Angle Bracket</b>			
9	Flue Collector Assembly (4-6 section)	1	76060
	Flue Collector Assembly (7-8 section)	1	76061
	Flue Collector Assembly (9-13 section)	1	76062
	Flue Collector Assembly (14-18 section)	1	76063
10	Slide Damper Only (4-8 section)	Not Available	
	Slide Damper Only (9-13 section)	Not Available	
	Slide Damper Only (14-18 section)	Not Available	
11	16" to 18" Increaser (17-18 section)	1	76064
12	Tan kless Coil Cover Plate Assembly	-	76075
13	Tan kless Coil Cover Plate Gasket	-	74019
13A	Tankless Coil (8 GPM)	-	76073
13B	Tankless Coil (12 GPM)	Not Available	
<b>Cleanout Cover Plate Includes – Must Order 20 to 27: Cleanout Plate, Insulation, Rope and Hardware</b>			
15	Cleanout Cover Plate	-	7807
16	Cleanout Cover Plate Bolts	2	7622
17	Cleanout Cover Plate Nut	4	51574
18	Cleanout Cover Plate Washer	2	86
19	Rope Seal (3/8" dia. x 3-3/4' long)	4. ft	55521
<b>Burner Mounting Plate Assembly – Must Order 20 to 27: Burner Mounting Plate, Observation Port Glass and Cover</b>			
20	Burner Mounting Plate – 7-3/4"	1	76028
	Burner Mounting Plate – 8-1/2"	1	76023
	Burner Mounting Plate – 9"	1	76027
	Burner Mounting Plate – 10-1/4" (Web-JB2)	1	76026
	Burner Mounting Plate – 10-1/4" (GP-R10.1)	1	76025
	Burner Mounting Plate – 10-1/4" (STD) (GP-R10.1)	1	76025
	Burner Mounting Plate – 12-1/2"	1	76022
-	Burner Mounting Plate Hardware	1	7653
21	Burner Insulating Block	1	76029
-	Insulating Block Hardware (1/4-20 X 5"Nut, Bbolt & Washer)	4	7720
22	Observation Glass Only	1	7648
23	Observation Glass Gasket	1	7650
24	Observation Glass Gasket	1	7649
25	Observation Glass Retainer	1	7651
26	Observation Cover Plate	Not Available	
27	Rope Seal (3/8" x 7' long)	7. ft	55521
28 & 29	Graphite Port Connector, (1 sets)	1	7655
	Graphite Port Connector A (3 sets)	1	76053
	Graphite Port Connector B (4 sets)	1	76054
	Graphite Port Connector C (5 sets)	1	76055

	Description	Quantity Required	Stock Code
N/S	Rope Seal (1/2" x 12-1/2' long) Between Sections	12.5 ft	7964
33	5/8" x 11" Draw Rod	4	7621
34	5/8" Hex Nuts	4	51567
35	5/8" Washer	4	7289
N/S	Spray Adhesive	1	55485
36	Rear Observation Port Assembly	1	7632
<b>Steam Trim and Controls</b>			
37	3-1/2" Steam Gauge w/ Internal Siphon	1	51769
38	Gauge Glass Set	1	50521
39	1-1/4" Safety Relief Valve 15 PSI (4-5 Section)	1	50508
	1-1/2" Safety Relief Valve 15 PSI (6-7 Section)	1	50509
	2" Safety Relief Valve 15 PSI (8-10 Section)	1	50503
	2-1/2" Safety Relief Valve 15 PSI (11-13 Section)	1	50504
	3" Safety Relief Valve 15 PSI (14-16 Section)	1	50505
	2-1/2" Safety Relief Valve 15 PSI (17-18 Section)	1	50511
40	PA404A Operating Control	1	50549
41	L404C Limit Control	1	50681
<b>Water Trim and Controls</b>			
42	Pressure/Temperature Gauge	1	55737
N/S	3/4" - 30 PSI Water Relief Valve (4 Section)	1	51300
39	1" - 30 PSI Water Relief Valve (4-6 Section)	1	51301
N/S	1-1/4" - 30 PSI Water Relief Valve (7-10 Section)	1	51302
N/S	1-1/2" - 30 PSI Water Relief Valve (11-14 Section)	1	51303
N/S	2" - 30 PSI Water Relief Valve (15-18 Section)	1	51304
44	L4006A Operating Control	1	51702
45	L4006E Limit Control	1	50570
46	Return Yoke (not pictured), (Obsolete 10/09)	1	76072
N/S	Balanced Temperature Return Cover Plate (Steam)	1	76091
<b>Jackets</b>			
-	Front/Rear	Not Available	
-	Top/Side A	Not Available	
-	Top/Side B	Not Available	
-	Top/Side C	Not Available	
-	Top Side D	Not Available	
-	Top/Side E	Not Available	
-	Top Side F	Not Available	
-	Top/Side G	Not Available	
-	Top Side H	Not Available	
-	Top/Side I	Not Available	
-	Top/Side J	Not Available	
<b>Assembly Kit</b>			
N/S	Assembly Kit A 4 Section	-	76050
N/S	Assembly Kit B 5 Section	-	76051
N/S	Assembly Kit C 6 Section	-	76052