



PeerlessBoilers.com

# Peerless® Series MI85™ /MHI™ /MI™

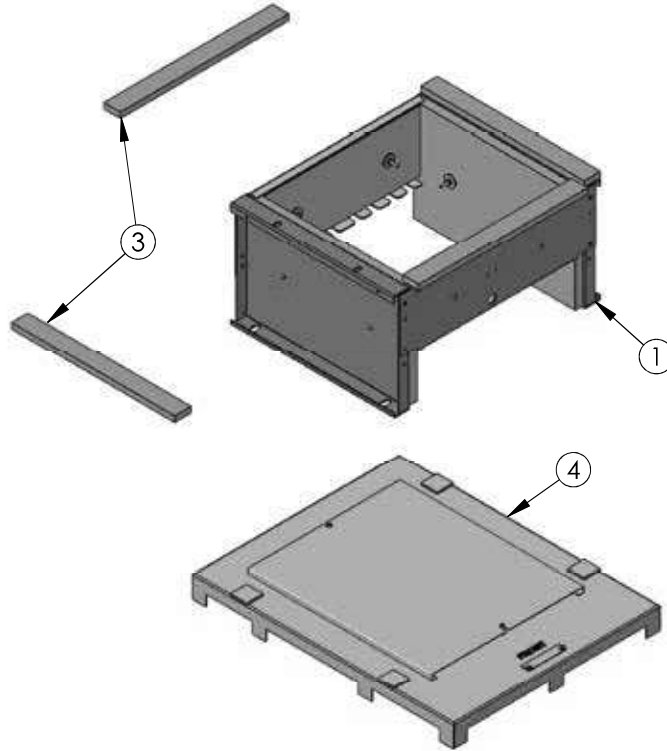
All repair parts orders - no minimum charges.

Please order with code number.

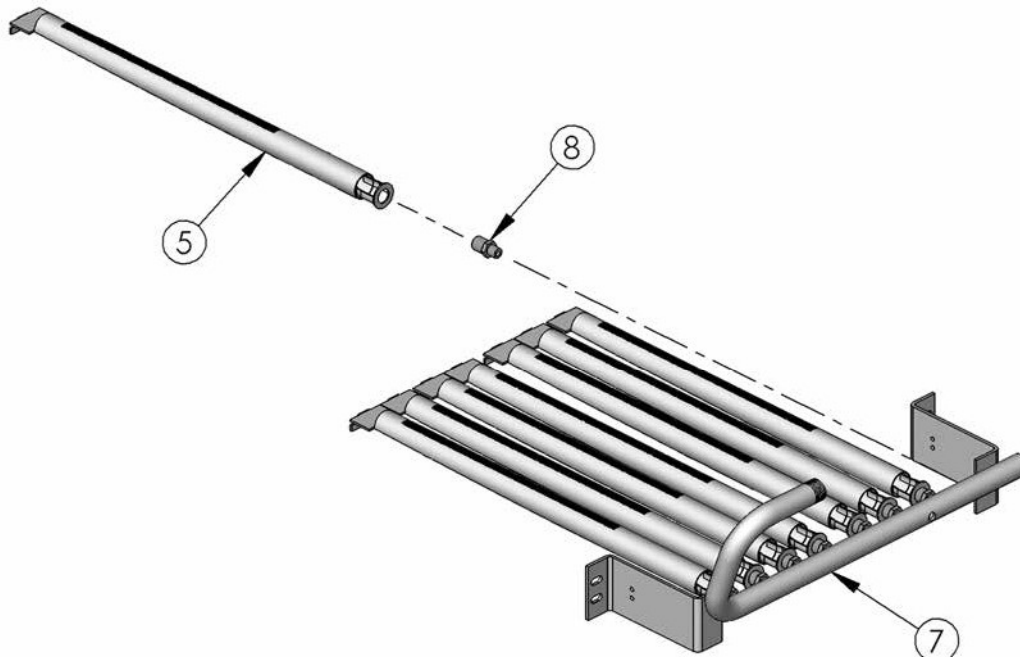
All prices quoted are in U.S. dollars.

All prices subject to change without notice.

All prices F.O.B. Bally, PA



## Gas Valve and Pilot – Standing Pilot (Continuous Ignition)



## Gas Valve and Pilot – Intermittent Ignition



PeerlessBoilers.com

# Peerless® Series MI85™ /MHII™ /MI™

All repair parts orders - no minimum charges.

Please order with code number.

All prices quoted are in U.S. dollars.

All prices subject to change without notice.

All prices F.O.B. Bally, PA

	Description	Quantity Required	Stock Code
1	Base Assembly – MI-03	1	7800
	Base Assembly – MI-04	1	7801
	Base Assembly – MI-05	1	7802
	Base Assembly – MI-06	1	7803
	Base Assembly – MI-07	1	7804
	Base Assembly – MI-08	1	7805
	Base Assembly – MI-09	1	7806
2	Observation Cover Door	1	51771
3	Base Blanket Seal, (4' to 7')	7ft.	50867
4	Combustible Floor Pan Assembly – MI-03	☼	90700
	Combustible Floor Pan Assembly – MI-04	☼	90701
	Combustible Floor Pan Assembly – MI-05	☼	90702
	Combustible Floor Pan Assembly – MI-06	☼	90703
	Combustible Floor Pan Assembly – MI-07	☼	90704
	Combustible Floor Pan Assembly – MI-08	☼	90705
	Combustible Floor Pan Assembly – MI-09	☼	90706
5	Steel Burner – MI-03	3	51537
	Steel Burner – MI-04	5	51537
	Steel Burner – MI-05	7	51537
	Steel Burner – MI-06	9	51537
	Steel Burner – MI-07	11	51537
	Steel Burner – MI-08	13	51537
	Steel Burner – MI-09	15	51537
6	Steel Burner w/ Standing Pilot Bracket	1	51263
	Steel Burner w/ Spark & SV Pilot Bracket	1	51539
7	Gas Manifold – MI-03	1	50978
	Gas Manifold – MI-04	1	50979
	Gas Manifold – MI-05	1	50980
	Gas Manifold – MI-06	1	50981
	Gas Manifold – MI-07	1	50954
	Gas Manifold – MI-08	1	50955
	Gas Manifold – MI-09	1	50956
8	Orifice Spud, #50 Natural Gas – MI85-03	3	X4014-50
	Orifice Spud, #50 Natural Gas – MI85-04	5	
	Orifice Spud, #50 Natural Gas – MI85-05	7	
	Orifice Spud, #50 Natural Gas – MI85-06	9	
	Orifice Spud, #49 Natural Gas – MIHII-03	3	50895
	Orifice Spud, #49 Natural Gas – MIHII-04	5	
	Orifice Spud, #49 Natural Gas – MIHII-05	7	
	Orifice Spud, #49 Natural Gas – MIHII-06	9	50894
	Orifice Spud, #48 Natural Gas – MI-03	3	
	Orifice Spud, #48 Natural Gas – MI-04	5	
	Orifice Spud, #48 Natural Gas – MI-05	7	
	Orifice Spud, #48 Natural Gas – MI-06	9	50895
	Orifice Spud, #49 Natural Gas – MI-07	11	
	Orifice Spud, #49 Natural Gas – MI-08	13	
	Orifice Spud, #49 Natural Gas – MI-09	15	50899
	Orifice Spud, #56 Lp Gas – MI-03 Only	3	
	Orifice Spud, #56 Lp Gas – MI-04 Only	5	
	Orifice Spud, #56 Lp Gas – MI-05 Only	7	
	Orifice Spud, #56 Lp Gas – MI-06 Only	9	50900
	Orifice Spud, #57 Lp Gas – MI-07 Only	11	
	Orifice Spud, #57 Lp Gas – MI-08 Only	13	
Orifice Spud, #57 Lp Gas – MI-09 Only	15		



PeerlessBoilers.com

# Peerless® Series MI85™ /MHI™ /MI™

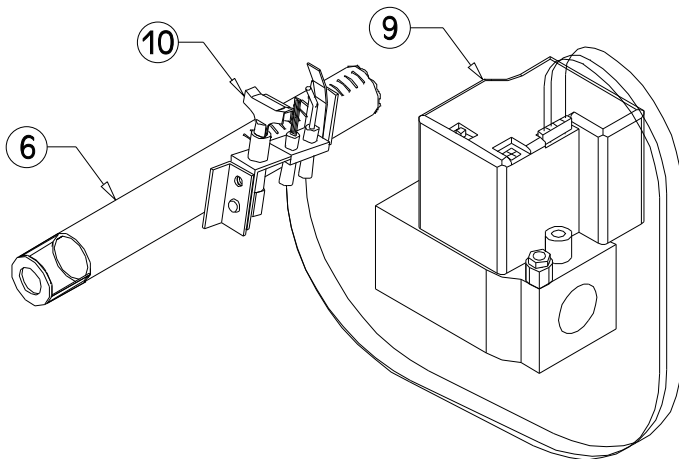
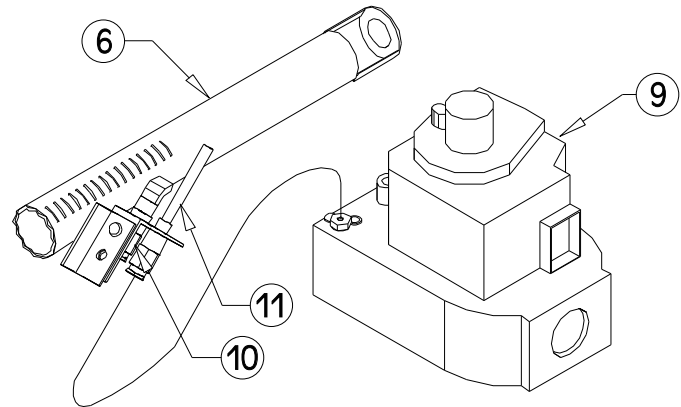
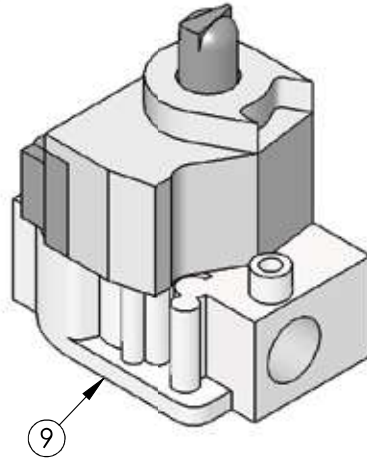
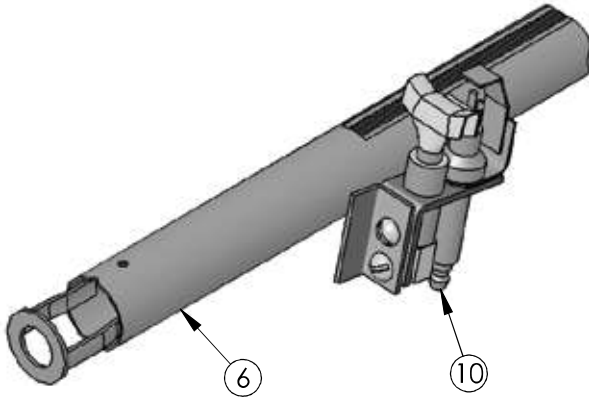
All repair parts orders - no minimum charges.

Please order with code number.

All prices quoted are in U.S. dollars.

All prices subject to change without notice.

All prices F.O.B. Bally, PA





PeerlessBoilers.com

# Peerless®

## Series MI85™ /MHI™ /MI™

All repair parts orders - no minimum charges.

Please order with code number.

All prices quoted are in U.S. dollars.

All prices subject to change without notice.

All prices F.O.B. Bally, PA

	Description	Quantity Required	Stock Code
N/S	Ignition Control -HW, S8610M3009+	1	50672
9	Honeywell VR8200A-21 16 Gas Valve Standing – Natural Gas MI-03 thru MI-05	1	50581
	Honeywell VR8204A-2001 Gas Valve Spark – Natural Gas MI-03 thru MI-05, Current	1	50583
	Gas Valve Spark – Natural Gas MI-03 thru MI-05, White Rodgers 36g33-530 1/2"	1	50797
	Honeywell SV9501M-2700 Gas Valve Smart – Natural Gas MI-03 thru MI-05	1	51682
	Honeywell VR8204A-2183 Gas Valve Spark – LP Gas MI-03 thru MI-05, Current	1	50584
	Gas Valve Spark - LP Gas MI-03 thru MI-05, White Rodgers 36G33-531 1/2"	1	50799
	Honeywell SV9501M-2064 Gas Valve Smart – LP Gas MI-03 thru MI-05	1	51691
	Honeywell VR8300C-4035 Gas Valve Standing – LP Gas MI-06 thru 09	1	91333
	Honeywell VR8300A-401 1 Gas Valve Standing – LP Gas MI-06 thru MI-09, OBS	1	50588
	Honeywell VR8304M-4010 Gas Valve Spark – LP Gas MI-06 thru MI-09, Current	1	50590
	Honeywell SV9601M-4225 Gas Valve Smart – LP Gas MI-06 thru MI-09	1	51692
	Honeywell VR8300A-4003 Gas Valve Standing – Natural Gas MI-06 thru MI-09	1	50587
	Honeywell VR8304M-4002 Gas Valve Spark – Natural Gas MI-06 thru MI-09, Current	1	50589
	Honeywell SV9601M-4167 Gas Valve Smart Natural Gas MI-06 thru MI-09	1	51683
	Honeywell VR8300C-4035 Gas Valve Standing – LP Gas MI-06 thru MI-09	1	91333
10	Honeywell Q348A-1358 Spark Pilot – LP Gas, Current	1	50997
	Honeywell Q3480B1644/B Spark Pilot Assembly, NG Gas, Current	1	50996
	Honeywell Q3480B1041 Pilot – Natural Gas – SV Ignition .022 24, MI Only	1	51295
	Honeywell Q3480B1025 Pilot – LP Gas – SV Ignition .016 36, MI Only, (obs 2012)	1	50205
	Honeywell Q314U-1001 Universal Standing Pilot – NAT/LP Gas, MI STDG Only	1	51905
	Pilot Assy, incl: Pilot, Burner tube w/ bracket & Thermocouple (Kit), MI STDG Only	1	91318
10a	Ignition Cable 30" SPRK, HW 394800-30	1	50640
11	Johnson K1 6BA-24D Thermocouple – 24" STDG, MI Only	1	50838



PeerlessBoilers.com

# Peerless® Series MI85™ /MHI™ /MI™

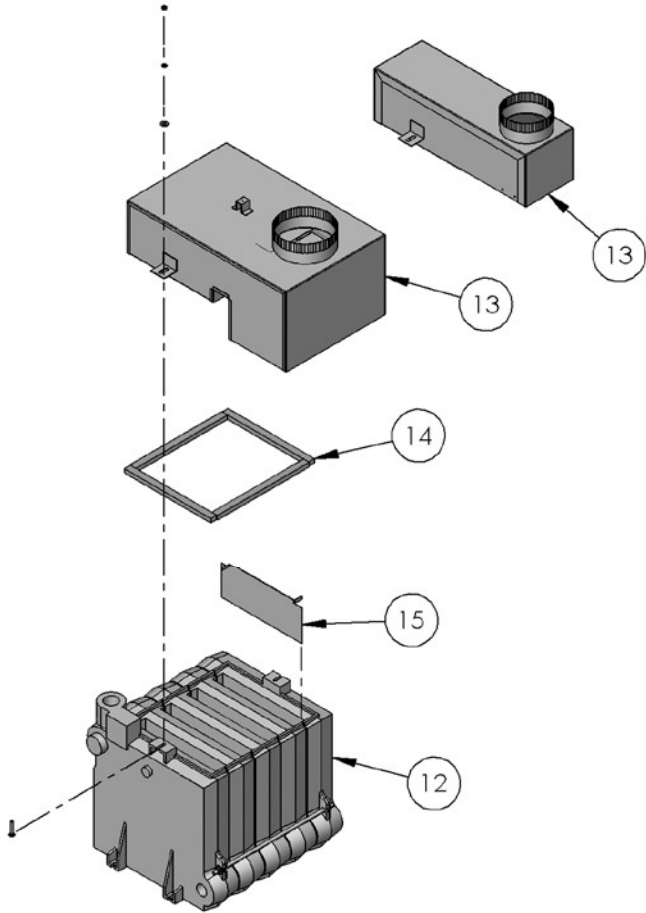
All repair parts orders - no minimum charges.

Please order with code number.

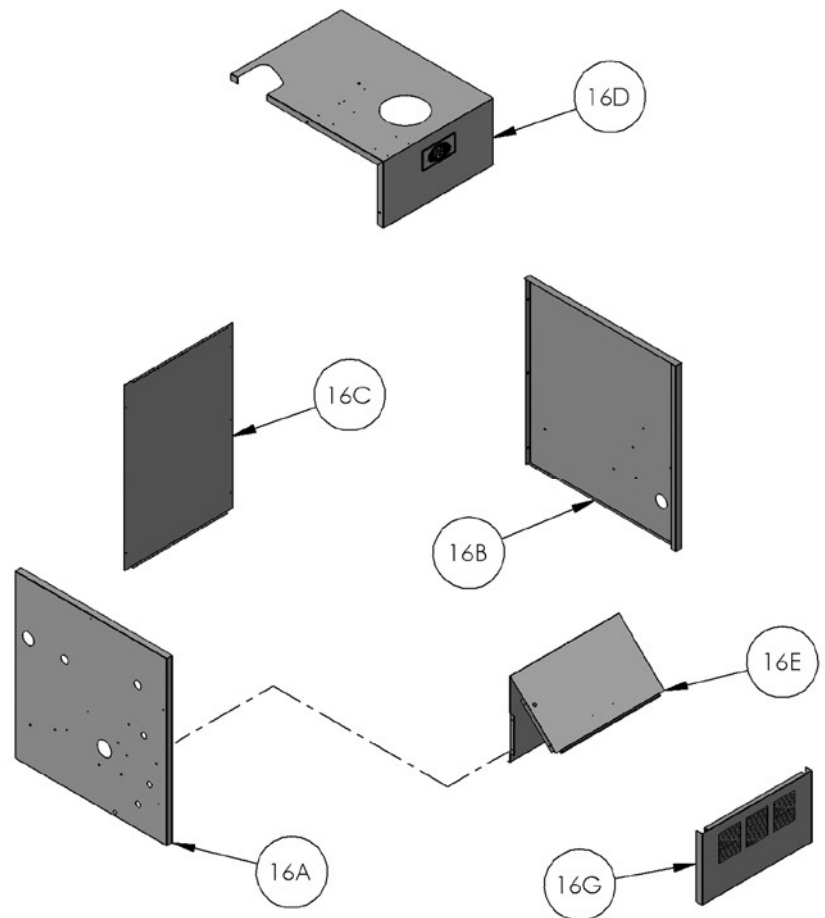
All prices quoted are in U.S. dollars.

All prices subject to change without notice.

All prices F.O.B. Bally, PA



**Block/Draft Hood**



**Jacket**



PeerlessBoilers.com

# Peerless®

## Series MI85™ /MIH™ /MI™

All repair parts orders - no minimum charges.

Please order with code number.

All prices quoted are in U.S. dollars.

All prices subject to change without notice.

All prices F.O.B. Bally, PA

	Description	Quantity Required	Stock Code
12	Block Assembly – MI, MIH, MIHII-03	1	90419
	Block Assembly – MI, MIH, MIHII-04	1	90420
	Block Assembly – MI, MIH, MIHII-05	1	90421
	Block Assembly – MI, MIH, MIHII-06	1	90422
	Block Assembly – MI-07	1	90423
	Block Assembly – MI-08	1	90424
	Block Assembly – MI-09	1	90425
13	Flue Collector/Draft Hood – MI, MIH, MIHII-03	1	90510
	Flue Collector/Draft Hood – MI, MIH, MIHII-04	1	90511
	Flue Collector/Draft Hood – MI, MIH, MIHII-05	1	90512
	Flue Collector/Draft Hood – MI, MIH, MIHII-06	1	90513
	Flue Collector/Draft Hood – MI-07	1	90514
	Flue Collector/Draft Hood – MI-08	1	90515
	Flue Collector/Draft Hood – MI-09	1	90516
13b	1/4"-20 x 2-1/4" Carriage Bolt w/ Nuts & Washer, (Local Hdwr Supply)	2	-
14	Flue Collector Blanket Seal (Flue Collector Blanket Seal 1/2 X 3/4) 4' to 7'	7.ft	50866
16	Jacket Assembly (Complete Jacket*) –MI, MIH, MIHII-03	1	90445
	Jacket Assembly (Complete Jacket*) – MI, MIH, MIHII-04	1	90446
	Jacket Assembly (Complete Jacket*) – MI, MIH, MIHII-05	1	90447
	Jacket Assembly (Complete Jacket*) – MI-06	1	90448
	Jacket Assembly (Complete Jacket*) – MI-07	1	90449
	Jacket Assembly (Complete Jacket*) – MI-08	1	90450
	Jacket Assembly (Complete Jacket*) – MI-09	1	90451
15	Flue Baffle - 8" – MIH-03	2	51584
	Flue Baffle - 8" – MIH-04	3	51584
	Flue Baffle - 8" – MIH-05	4	51584
	Flue Baffle - 8" – MIH-06	5	51584
16A 16B 16C 16D 16E 16G	*Complete Jacket Consists of: Left Side Panel Right Side Panel Rear Panel Top Upper Front Panel Inner Front Baffle Panel Removable Front Panel		



PeerlessBoilers.com

# Peerless® Series MI85™ /MHI™ /MI™

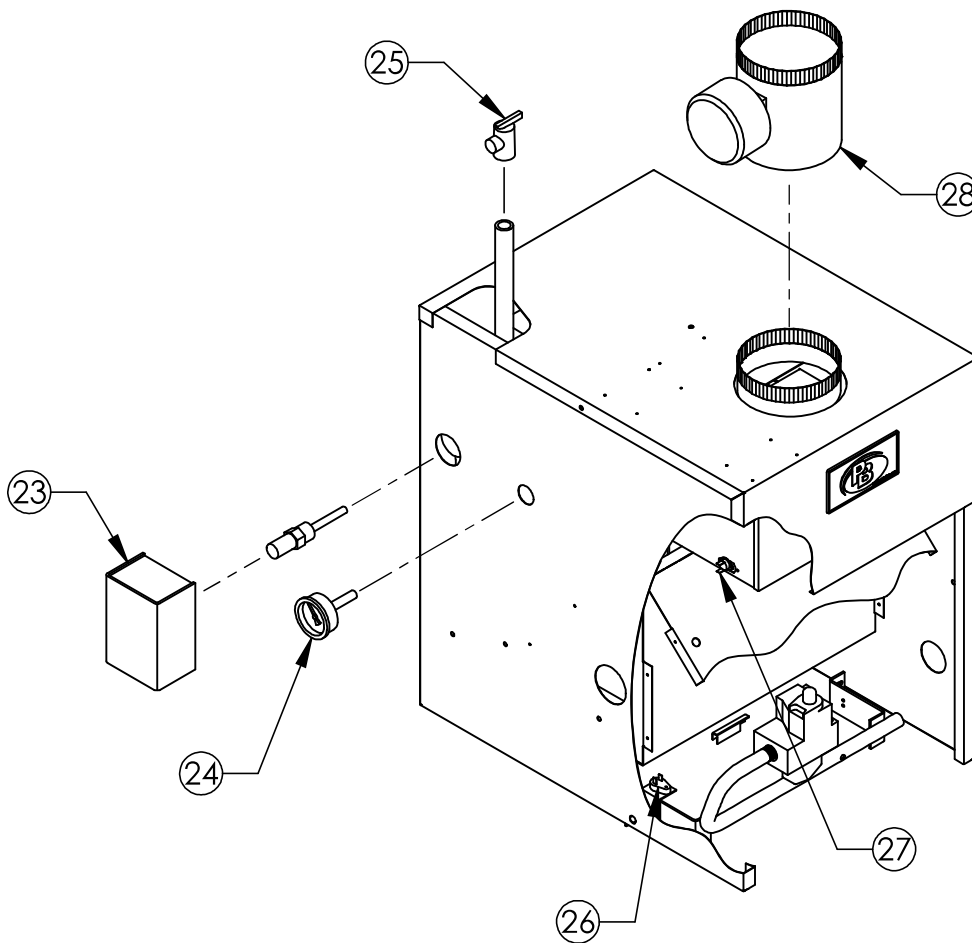
All repair parts orders - no minimum charges.

Please order with code number.

All prices quoted are in U.S. dollars.

All prices subject to change without notice.

All prices F.O.B. Bally, PA



## Controls/Circulator/Vent Damper



PeerlessBoilers.com

# Peerless® Series MI85™ /MIH™ /MI™

All repair parts orders - no minimum charges.

Please order with code number.

All prices quoted are in U.S. dollars.

All prices subject to change without notice.

All prices F.O.B. Bally, PA

	Description	Quantity Required	Stock Code
23	Honeywell L8148E-1182 Limit w/ 3/4" Well, (Earlier Units, Prior to 2009)	1	51689
	LIMIT HYDROLEVEL 3200 RESET W/ LWCO	☼	50334
	Bracket / Sensor Assy, Hydrostat Surface Mt. 12"	☼	54522
	Bracket/Sensor Assy, Hydrostat Surface Mt 24"	☼	50835
	Outdoor Sensor	☼	54604
	WELL 3/4" NPT Well Std Length		50723
24	Temperature-Pressure Gauge	1	51324
25	Safety Relief Valve, 30 PSI, Conbraco 10-408-05	1	50501
	Safety Relief Valve, 50 PSI, Watts #350	☼	51028
26	Flame Roll-Out Safety Shut-Off Switch	1	51587
27	Blocked Vent Shut-Off (Spill) Switch – MI Only (Pressure Switch)	1	90592
	Blocked Vent Shut-Off (Spill) Switch – MIH, MIHII, MI-85 (Pressure Switch)	1	90593
28	5" Vent Damper – MI, MIH,MI-II, MI-85-03 thru -04	1	90612
	6" Vent Damper – MI, MIH,MI-II, MI-85-05 thru -06	1	90613
	7" Vent Damper – MI-07	1	90614
	8" Vent Damper – MI-08 thru MI-09	1	90615
	Harness Vent Damper MI/MIHII/MI85	1	54482
<b>Conversion Kit Natural to LP Gas, (Earlier Units) MI Only</b>			
N/S	STDG – MI-03 thru MI-06, Serial Number less than 132,000	☼	50670
N/S	STDG – MI-07 thru MI-08, Serial Number less than 132,000	☼	50671
N/S	STDG – MI-03 thru MI-05, Serial Number greater than 132,000	☼	91118
N/S	STDG – MI-06 - Serial Number greater than 132,000	☼	91119
N/S	STDG – MI-07 thru MI-09, Serial Number greater than 132,000	☼	91120
N/S	SPRK – MI-03 thru MI-06, Serial Number less than 132,000	☼	50678
N/S	SPRK – MI-07 thru MI-09, Serial Number less than 132,000	☼	50679
N/S	SV – MI-03 thru MI-06 (2012+)	☼	50692
N/S	SV – MI-07 thru MI-09 (2012+)	☼	50988
<b>Conversion Kit LP to Natural Gas, (Earlier Units) MI Only</b>			
N/S	STDG – MI-03 thru MI-06, Serial Number less than 132000	☼	50666
N/S	STDG – MI-07 thru MI-09, Serial Number less than 132000	☼	50667
N/S	STDG – MI-03 thru MI-05, Serial Number Greater than 132000	☼	91115
N/S	STDG – MI-06, Serial Number Greater than 132000	☼	91116
N/S	STDG – MI-07 thru MI-09, Serial Number Greater than 132000	☼	91117
N/S	SPRK – MI-03 thru MI-06, MIHII-03 thru MIHII-06, MI85-03 thru MI85-06	☼	50674
N/S	SPRK – MI-07 thru MI-09	☼	50675
N/S	SV – MI-03 thru MI-06, (obs) 10/2012	☼	50989
N/S	SV – MI-07 thru MI-09, (obs) 10/2012	☼	50990
<b>Conversion Kits for Standing Pilot &amp; SV Intermittent Gas Valves, (Earlier Units) MI Only</b>			
N/S	From SPRK Sys to STDG-N48 – MI-03 thru MI-06	☼	51011
N/S	From SPRK Sys to STDG-N49 – MI-07 thru MI-08-MC03-08	☼	51012
N/S	From SPRK to STDG-LP56 – MI-03 thru MI-06	☼	51013
N/S	From SPRK to STDG-L57 – MI-07 thru MI-08-MC03-08	☼	51014
N/S	From STDG to SPRK-N48 – MI-03 thru MI-06	☼	51015
N/S	From STDG to SPRK-N49 – MI-07 thru MI-08-MC03-08	☼	51016
N/S	From STDG to SPRK-LP56 – MI-03 thru MI-06	☼	51017
N/S	From STDG to SPRK-LP57 – MI-07 thru MI-08-MC03-08	☼	51018
N/S	From SV to STDG-N – MI-03 thru MI-06, (obs) 10/2012	☼	90132
N/S	From SV to STDG-N – MI-07 thru MI-08-MC03-08, (obs) 10/2012	☼	90136
N/S	From SV to STDG-LP – MI-03 thru MI-05, (obs) 10/2012	☼	90142
N/S	From SV to STDG-LP – MI-03 thru MI-06, (obs) 10/2012	☼	90143
N/S	From SV to STDG-LP – MI-07 thru MI-08-MC03-08, (obs) 10/2012	☼	90144
N/S	From STDG to SV-N – MI-07 thru MI-08-MC03-08, (obs) 10/2012	☼	90147
<b>(Current, MI-Only) Fuel Conversion Kits for Spark Pilot to Spark Pilot</b>			
N/S	Conversion Kit, MI03-06 DE03-06 SPRK Nat to LP (2012+) OR SV TO LP	-	50692
N/S	Conversion Kit, MI03-06 DE03-06 SPRK LP TO NatP (2012+) OR SV TO LP	-	50989
N/S	Conversion Kit, MI07-09 SPRK, LP to Nat (2012+) OR SV TO LP	-	50990
N/S	Conversion Kit, MI07-09 SPRK Nat to LP (2012+) OR SV TO LP	-	50988