



PeerlessBoilers.com

# Peerless® Series 64™ -e models

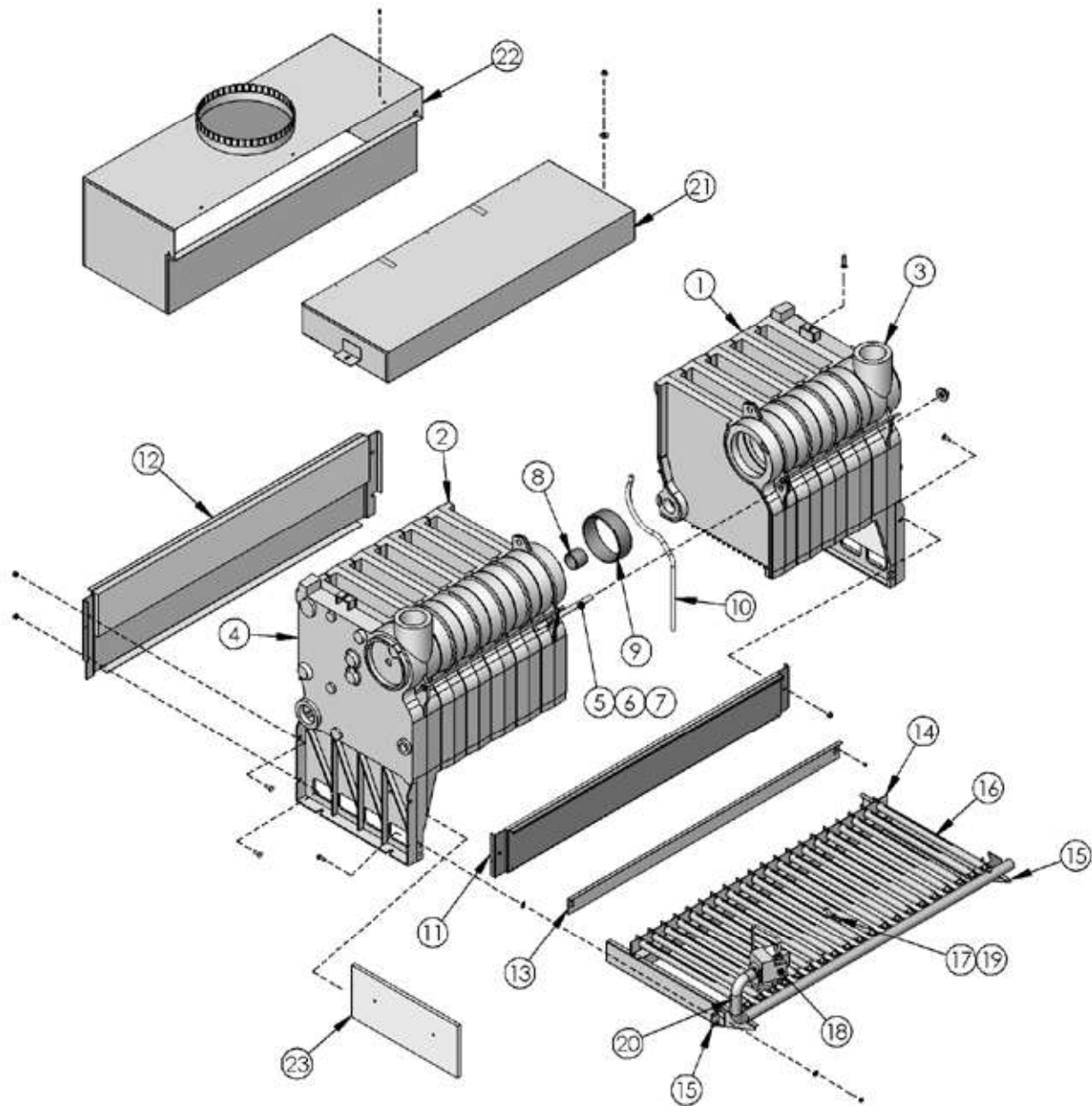
All repair parts orders - no minimum charges.

Please order with code number.

All prices quoted are in U.S. dollars.

All prices subject to change without notice.

All prices F.O.B. Bally, PA





PeerlessBoilers.com

# Peerless® Series 64™ -e models

All repair parts orders - no minimum charges.

Please order with code number.

All prices quoted are in U.S. dollars.

All prices subject to change without notice.

All prices F.O.B. Bally, PA

	Description	Quantity Required	Stock Code
5	Draw Rod 5/8"-11 x 8" (64-e-e)	3	7797
6	Draw Rod Nut 5/8"-11 (64-e)	6	51567
7	Draw Rod Washer (64-e)	6	7289
8	2" Push Nipple	1	51543
9	6" Push Nipple	1	51546
10	High Temperature Sealing Rope 1/2", ** Price per Foot **	4.ft	51211
N/S	64-e Split Block Assy. Kit w/ Hardware & Rope	1	90899
-	Left Hand 64-e-07 Split Block, (4)	1	90904
-	Right Hand 64-e-07 Split Block, (3)	1	90906
-	Left Hand 64-e-08 Split Block, (4)	1	90904
-	Right Hand 64-e-08 Split Block, (4)	1	90907
-	Left Hand 64-e-09 Split Block, (4)	1	90904
-	Right Hand 64-e-09 Split Block, (5)	1	90908
-	Left Hand 64-e-10 Split Block, (6)	1	90905
-	Right Hand 64-e-10 Split Block, (4)	1	90907
-	Left Hand 64-e-11 Split Block, (6)	1	90905
-	Right Hand 64-e-11 Split Block, (5)	1	90908
-	Left Hand 64-e-12 Split Block, (6)	1	90905
-	Right Hand 64-e-12 Split Block, (6)	1	90909
11	Base Front Panel Assembly – 64-e-07	1	50328
	Base Front Panel Assembly – 64-e-08	1	50329
	Base Front Panel Assembly – 64-e-09	1	50330
	Base Front Panel Assembly – 64-e-10	1	50331
	Base Front Panel Assembly – 64-e-11	1	50332
	Base Front Panel Assembly – 64-e-12	1	50333
12	Base Rear Panel Assembly – 64-e-07	1	61184
	Base Rear Panel Assembly – 64-e-08	1	61185
	Base Rear Panel Assembly – 64-e-09	1	61186
	Base Rear Panel Assembly – 64-e-10	1	61187
	Base Rear Panel Assembly – 64-e-11	1	61188
	Base Rear Panel Assembly – 64-e-12	1	61189
	Burner Access Panel – 64-e-07	1	50275
	Burner Access Panel – 64-e-08	1	50276
	Burner Access Panel – 64-e-09	1	50277
	Burner Access Panel – 64-e-10	1	50278
	Burner Access Panel – 64-e-11	1	50279
	Burner Access Panel – 64-e-12	1	50280
13a	Flame Rollout Switch G4AM0600167C	1	51587

	Description	Quantity Required	Stock Code
14	Burner Tray Rear Support – 64-e-07	1	50307
	Burner Tray Rear Support – 64-e-08	1	50308
	Burner Tray Rear Support – 64-e-09	1	50309
	Burner Tray Rear Support – 64-e-10	1	50310
	Burner Tray Rear Support – 64-e-11	1	50311
	Burner Tray Rear Support – 64-e-12	1	50312
15	Burner Tray Left Side Rail	1	50296
	Burner Tray Right Side Rail	1	50295
16	Burner – 64-e-07	11	50192
	Burner – 64-e-08	13	50192
	Burner – 64-e-09	15	50192
	Burner – 64-e-10	17	50192
	Burner – 64-e-11	19	50192
	Burner – 64-e-12	21	50192
17	Burner with Pilot Bracket (Spark)	1	50163



PeerlessBoilers.com

# Peerless® Series 64™ -e models

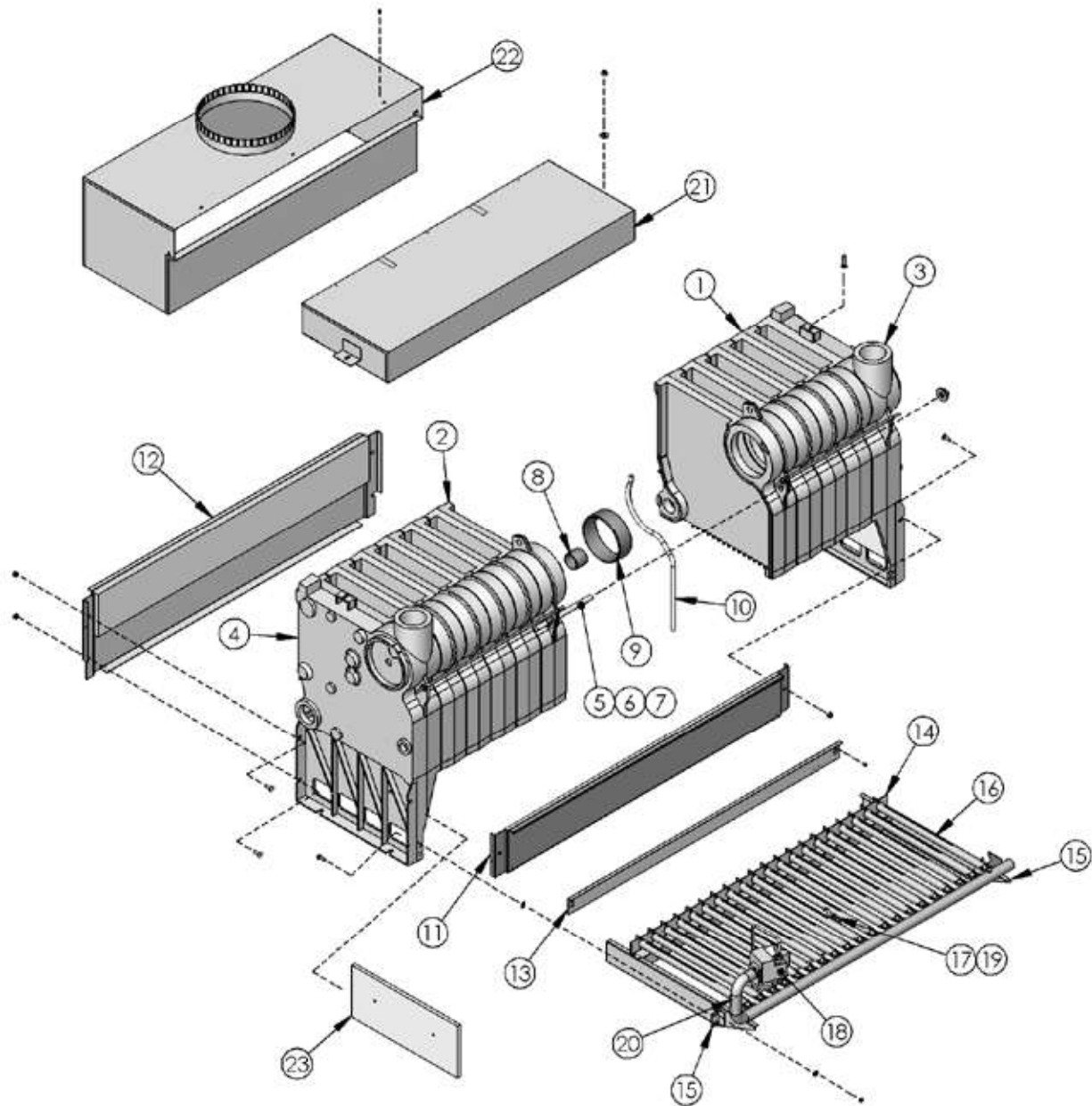
All repair parts orders - no minimum charges.

Please order with code number.

All prices quoted are in U.S. dollars.

All prices subject to change without notice.

All prices F.O.B. Bally, PA





PeerlessBoilers.com

# Peerless® Series 64™ -e models

All repair parts orders - no minimum charges.

Please order with code number.

All prices quoted are in U.S. dollars.

All prices subject to change without notice.

All prices F.O.B. Bally, PA

	Description	Quantity Required	Stock Code
18	Gas Valve – NAT-SPRK 64-e-07/08 Honeywell VR8304M-4002	1	50589
	Gas Valve – NAT-SPRK 64-e-09 thru 64-e-12 7000DERHC Robert Shaw	1	50247
	Gas Valve – LP-SPRK 64-e-05/06 Honeywell VR8304M-4010	1	50590
	Gas Valve – LP-SPRK 64-e-07/08 Honeywell VR8304P-4314	1	50724
19	Pilot Assembly NAT-SPRK 64-e Honeywell Q3481B164-e4/B w/ Cable	1	50996
	Pilot Assembly LP-SPRK 64-e Honeywell Q348A-1358	1	50997
N/S	Ignition Cable Honeywell 394800-30	1	50640
N/S	Vent Safety Switch (3L, 3, 4L) 1 NT08L-5621-210°F	1	50040
N/S	Vent Safety Switch (4-12; not 4L) 1 NT08L-5621 -230°F	1	50041
N/S	Ignition Control (non-CSD) UT1 003-632A, (Obsolete)	☼	TT7038
N/S	Ignition Control, Capable Controls	1	50767
N/S	Ignition Control, Capable Controls (CSD)	1	50732
20	Gas Manifold – 64-e-07 Assembly Kit	1	90411
	Gas Manifold – 64-e-08 Assembly Kit	1	90412
	Gas Manifold – 64-e-09 Assembly Kit	1	90413
	Gas Manifold – 64-e-10 Assembly Kit	1	90414
	Gas Manifold – 64-e-11 Assembly Kit	1	90415
	Gas Manifold – 64-e-12 Assembly Kit	1	90416

	Description	Quantity Required	Stock Code
21	Flue Collector – 64-e-07	1	50288
	Flue Collector – 64-e-08	1	50289
	Flue Collector – 64-e-09	1	50290
	Flue Collector – 64-e-10	1	50291
	Flue Collector – 64-e-11	1	50292
	Flue Collector – 64-e-12	1	50293
22	Draft Hood – 64-e-07	1	50258
	Draft Hood – 64-e-08	1	50259
	Draft Hood – 64-e-09	1	50260
	Draft Hood – 64-e-10	1	50261
	Draft Hood – 64-e-11	1	50262
	Draft Hood – 64-e-12	1	50393
23	Insulation Board	1	7956
<b>Conversion Kits Natural to LP Gas</b>			
-	SPRK 64-e	☼	90525
<b>Conversion Kit LP to Natural Gas</b>			
-	SPRK to STDG 64-e-07, 64-e-08	☼	90226
-	SPRK 64-e-07 thru 64-e-12	☼	90052
<b>Vent Dampers</b>			
-	64-e-07 – Effikal-RVGP-9BK	☼	50167
-	64-e-08 thru 64-e-09 – Effikal-RVGP-1 0BK	☼	50168
-	64-e-10 thru 64-e-12 – Effikal-RVGP-1 0BK	☼	90616
<b>Jackets</b>			
-	64-e-07	1	90649
-	64-e-08	1	90650
-	64-e-09	1	90651
-	64-e-10	1	90652
-	64-e-11	1	90653
-	64-e-12	1	90654

	Description	Quantity Required	Stock Code
<b>Steam Trim</b>			
N/S	Transformer w/ Relay Scoket, 40VA ZC90113-178 (Earlier Models Only)	1	50787
N/S	24V White Rodgers Relay 90-340 (Earlier Models Only)	1	50726
N/S	Pressuretrol, Honeywell, PA404A1009	1	50549
N/S	Pressuretrol, Honeywell, L4079B1033 (64-e-09 -12)	1	50681
N/S	2-1/2" Round, 0-30# Steam Gauge (steam boilers only)	1	51325
N/S	9-1/4" Gauge Glass Set, Valves & Rods (steam boilers only)	1	50526
N/S	3/4" 15# Steam Valve CONBRACO 13-511-B15, 64-e-09	1	50510
N/S	3/4" 15# Steam Valve CONBRACO 13-211-B15, 64-e-10	1	50507
N/S	1" 15# Steam Valve CONBRACO 13-202-B15, 64-e-11/12	1	50506
N/S	Siphon Steam 1/4 90° BRS-Long 3-3/4 x 1-7	☼	6665
<b>Harness</b>			
N/S	External Control Harness, Float, 64-e-08		TT7013
N/S	64-e Damper / Internal Harness w//Damper Stub		TT7015
N/S	64-e Module Capable to RS Gas vale Harness		54515
N/S	64-e HW Module to RS Gas vale Harness		X7080
N/S	64-e Primary Probe Harness		TT7019
N/S	External Control Harness, Probe, 64-e-08		TT7014
N/S	External Control Harness, Probe, 64-e-09 thru 64-e-12		TT7016